

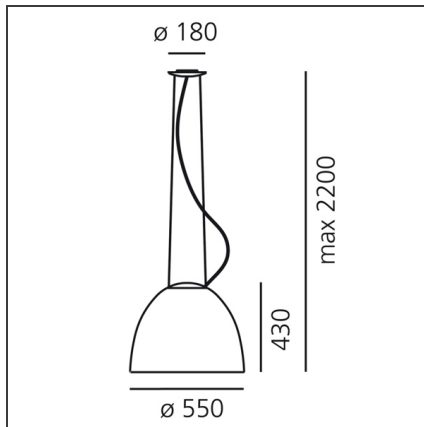
## Nur Gloss - Suspension - Black



IP20

Dimmerable: + -

### TECHNICAL DRAWINGS



### DESIGN BY

Ernesto Gismondi

### DESCRIPTION

### FEATURES

<b>Article Code:</b>	A242110	<b>Material:</b>	Aluminium, polycarbonate, glass
<b>Colour:</b>	Black	<b>Series:</b>	Design
<b>Installation:</b>	Suspension	<b>Area contract:</b>	Hospitality, Office, Residential
<b>Environment:</b>	Indoor	<b>Emission:</b>	Direct/indirect

### DIMENSIONS

<b>Height:</b>	cm 43.9	<b>Impact Resistance:</b>	N/D
<b>Max Height from ceiling:</b>	cm 200	<b>Glow Wire Test:</b>	650

### NOT INCLUDED SOURCES

<b>Category:</b>	HALO	<b>Color Rendering:</b>	99
<b>Number:</b>	1	<b>Color temperature (K):</b>	3000K
<b>Watt:</b>	205W	<b>Class:</b>	A
<b>Socket:</b>	E27		

### ALTERNATIVE SOURCES

<b>Category:</b>	LED
<b>Number:</b>	1
<b>Watt:</b>	21W
<b>Delivered lumens output (lm):</b>	2452lm
<b>Type:</b>	2
<b>Socket:</b>	E27
<b>Class:</b>	A

### LUMINAIRE

<b>Watt:</b>	W	<b>Delivered lumens output (lm):</b>	1735lm
<b>Voltage:</b>	220V-240V	<b>CCT:</b>	2900K
		<b>Efficiency:</b>	41%
		<b>Efficacy:</b>	8.46lm/W
		<b>CRI:</b>	99

### Notes

A new perfectly smooth and polished finish gives elegance to the classicNur model. All the versions are encased in a diffuser at the bottom.