

# FLOS

## BIAGIO

|                              |  |
|------------------------------|--|
| <b>Mounting</b>              | Table  |
| <b>Lamps description</b>     | 1 x 70W E27 HSGS   |
| <b>Environment</b>           | Indoor   |
| <b>Finish</b>                | White marble   |
| <b>Technical description</b> | Table lamp providing direct light. Lamp body carved from a single block of Carrara marble. |

## ELECTRICAL

|                    |                       |
|--------------------|-----------------------|
| <b>Emergency</b>   | Without               |
| <b>Switching</b>   | ON/OFF switch on cord |
| <b>Voltage (V)</b> | 230                   |

## PHYSICAL

|                              |            |
|------------------------------|------------|
| <b>Supply</b>                | Power cord |
| <b>Cord length (mm)</b>      | 2200       |
| <b>Construction material</b> | Marble     |
| <b>Weight (kg)</b>           | 7.5        |



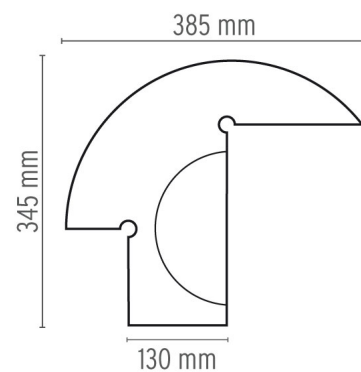
## Biagio

designed by Tobia Scarpa

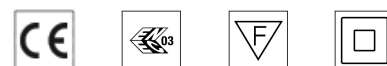
Table lamp providing direct light

● F0700000 White marble

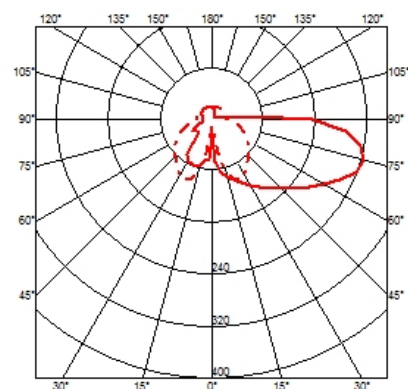
## DIMENSIONS



## CERTIFICATIONS



|    |
|----|
| IP |
| 20 |



## Biagio . Lamps



**70W E27 HSGS**

**Lamp wattage:**  
70 W

**Lamp category:**  
Halogen mains

**Socket:**  
E27

**Lamp type:**  
HSGS



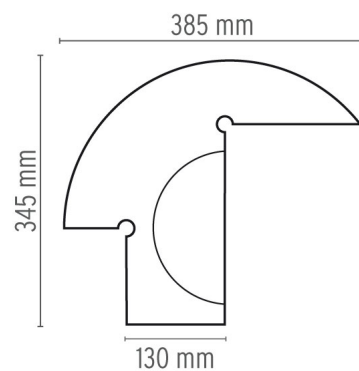
### Biagio

designed by Tobia Scarpa

Table lamp providing direct light

● F0700000 White marble

### DIMENSIONS



### CERTIFICATIONS

