

Designed by Greta Grossman

PRODUCT



Item no.: 005-0530
 + style code:
 - 1: Jet Black
 - 2: Anthracite Grey
 - 3: Vintage Red
 - 4: Blue Grey
 - 5: Matt White

DESCRIPTION

The iconic Gräshoppa task lamp was first produced in 1948. The tubular brass stand is mounted on a brass base whilst the elongated conical steel shade is mounted with a moveable joint in solid brass, consequently the light can be directional, yet the glare is minimal. The shade is powder-coated and available in 5 colours. Switch integrated in the base.

VERSION - GRÄSHOPPA TASK LAMP

RAL codes are indicative.

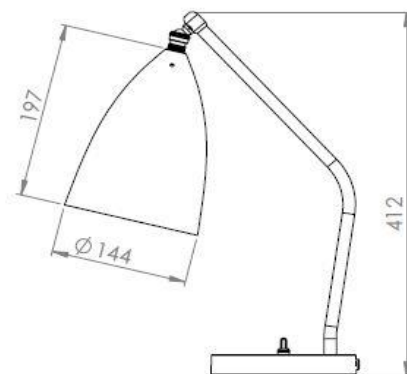
- Fabric wire - Golden:
- Jet Black / White inside // RAL 9005 / RAL 9003 // Gloss level 20 / Gloss level 20
- Anthracite grey / White inside // RAL 7016 / RAL 9003 // Gloss level 20 / Gloss level 20
- Blue grey / White inside // RAL 160 60 05 / RAL 9003 // Gloss level 20 / Gloss level 20
- Matt white / White inside // RAL 9003 / RAL 9003 // Gloss level 20 / Gloss level 20
- Vintage red / White inside // RAL 3012 / RAL 9003 // Gloss level 20 / Gloss level 20

VERSION

Order item - look for part number in the pricelist.

Series contains the following:

- GM1 GRÄSHOPPA
- GM2 COBRA TABLE
- GM3 COBRA FLOOR
- GRÄSHOPPA TASK TABLE LAMP
- GRÄSHOPPA PENDANT
- COBRA WALL LAMP



COLORS



// Jet Black



// Anthracite grey



// Vintage Red



// Blue grey



// Matt white

FACTS

MATERIAL

Shade: Powder-coated steel
 Stand: Brass tube: dia. 0,5 inches
 Base: Cover in brass, inside counterweight in steel

MEASUREMENT - L x W x H inches

Lamp height: 16,2 inches
 Lamp base: dia. 5,9 inches
 Shade height: 7,8 inches
 Shade diameter: dia. 5,7 inches
 Cable length, exposed: Approx. 98,4 inches

WEIGHT ITEM - LAMP INCL. WIRE

4,9 lb

PACKAGING TYPE

Cardboard box

PACKAGING MEASUREMENT - L x W x H inches

L: 18,1 x W: 16,5 x H: 9,8 inches

WEIGHT PACKAGING - MATERIAL TYPE (recyclable)

- Delivery note: 0,35 oz
- LD-EPE foam: 7,2 oz
- EPE bag: 0,17 oz
- PE polybag: 0,21 oz
- Cardboard inside: 9,3 oz
- Cardboard outside, 5ply Corrugated: 2,4 lb

WEIGHT INCL. PACKAGING - TOTAL

8,4 lb

NUMBER OF PARCELS

1 pcs.

ACCESSORIES

-

ENVIRONMENT

-

TESTS

-

CERTIFICATION AND LABELS

CUL-APPROVED

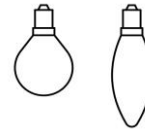
SAFETY INSTRUCTIONS

If the cord or plug is damaged, unplug it from the socket with dry hands. Do not use the lamp until it is repaired by a qualified Electrician.

Instructions document: No. 53-20-003-01

LIGHT SOURCE:

- Socket: E12 base
- Bulb types recommended:



- Recommended light sources: *Halogen light bulb*
- Recommended wattage: 46 W
- Max wattage: 46 W

All fluorescens light bulbs

- Recommended wattage: 15 W
- Max wattage: 15 W

LED retrofit light bulbs

- Recommended wattage: 7 W
- Max wattage: 9 W

- *Max. light out put for above lamps:*
- 800 Lumens = (60WATT incandescent bulbs)

- All lamps can be fitted with a dimmer -Please contact your local electrician.

- Lightbulb not included

- *US plug: Type A, 2 PIN, 15 amp, (NEMA 1-15)*

- *US voltage: 120 V*

- *Frequency: 60 Hz*

- *Supply voltage: AC power ~*

- *Normally Closed: IP20*



Class II / Double insulated

Mark for Canada and the U.S.



Luminaires accepted for mounting on a flammable base

BULB REPLACEMENT

- Disconnect the power before replacing bulb.

TROUBLESHOOTING

- If lamp does not light, turn off the power. Check the bulb for a broken filament. Replace bulb if necessary, then turn it on.
- If the lamp still does not light, please contact customer service at the local dealer.
- If the external flexible cable or cord of this lamp is damaged, it must be replaced by a qualified electrician in order to avoid a hazard.

MAINTENANCE

- Plug and power cord (prior maintenance)
- To clean, use a soft cloth only.
- Do not use any chemical or abrasive cleaners.

Gräshoppa Task Lamp

005-053xx

GUBI A/S

Høstvedvej 7-9 / Pilehus 53 T: +45 3332 6366
 2150 Nordhavn, Copenhagen CVR: 17342054
 Denmark WWW.GUBI.DK

SAFETY INSTRUCTIONS RELATING TO RISK OF FIRE, ELECTRIC SHOCK, OR PERSONAL INJURY

WARNING: Light bulb gets HOT. Do not touch while on.

CAUTION: Keep away from children, bedding, chairs, and any other flammable materials.

Do not use directly on paper table.

Turn off using main switch to avoid replacing bulb, cleaning or other maintenance.

Do not use the lamp if it is damaged.

CAUTION TO REDUCE THE RISK OF FIRE: USE MAX. 40 WATT INCANDESCENT, ETC. BULB IN BULB/120V BOMB ONLY.

Do not exceed maximum wattage.

CAUTION: AIRCRAFT LAMP MUST BE INSTALLED BY A QUALIFIED ELECTRICIAN.

REMARK: Do not use wet.

Step 1

1. Unpack lamp.
2. Place on stable ground.

Step 2

3. Plug lamp to mains voltage.
4. Push switch to turn lamp on and off.

53-20-003-01 Mounting and Gräshoppa Task Lamp (U)

GUBI

GRASHOPPA TASK LAMP // Designed by Greta Grossman

DE:
 *Bitte lesen Sie die Gräshoppa Lampe-Anleitung von Greta Grossman (1947). Sie haben die richtige Anleitung für diese Lampe erhalten. Bitte lesen Sie die Montageanleitung, die mit der Lampe geliefert wird, und befolgen Sie die dort angegebenen Anweisungen. Bitte lesen Sie die Montageanleitung für die Lampe, die Sie gekauft haben, und befolgen Sie die dort angegebenen Anweisungen. Bitte lesen Sie die Montageanleitung für die Lampe, die Sie gekauft haben, und befolgen Sie die dort angegebenen Anweisungen. Bitte lesen Sie die Montageanleitung für die Lampe, die Sie gekauft haben, und befolgen Sie die dort angegebenen Anweisungen.

EN:
 Congratulations with your Gräshoppa lamp designed by Greta Grossman in 1947. We hope you will enjoy it. After some time you may find that the plug on the shade will get loose and needs tightening. This can be done by turning the shade on clockwise.

CAUTION: Do not remain the shade unsecured on its axis, as this might result in self-heating.

DE:
 Gratulation zu Ihrer Gräshoppa Lampe Entworfen von Greta Grossman. Wir wünschen Ihnen viel Freude damit. Bitte beachten Sie, dass sich der Befestigung des Leuchtschirms an der Leuchte der Zeit bedien kann und nachgelassen werden muss. Drehen Sie dazu die Montage-Mutter im Uhrzeigersinn los.

Warnung: Bitte achten Sie den Schirm nicht nachweislich von seiner Achse, also vermeiden Sie selbst.