

F-Chair Outdoor Lounge Chair

Marcel Gascoïn - 1949

**ITEM NUMBER**

42727

DESCRIPTION

The garden gets an upgrade with the simple functionality of two of French architect and designer Marcel Gascoïn's most enduring iconic designs. GUBI's new outdoor collection, now in teak, represents significant innovation for Gascoïn's iconic design, and adding a new lounge typology to GUBI's collection.

The F-Chair has been developed especially for the outdoors in close collaboration with Gascoïn's family from his original drawings, supported by intensive research and prototyping. The harmonious interlocking between the armrests, the rear legs and the backrest took particularly high levels of craftsmanship to resolve.

The F-Chair is optimized for the outdoors in both the ergonomics and the materiality. Proportions have been fine-tuned to maximize comfort and the frame has been carefully crafted with traditional joinery using plantation teak. The seat and backrest are tightly woven from an outdoor all-weather fiber made of an extruded polyethylene and twisted to resemble natural hyacinth woven furniture. The weave pattern creates triangle shapes from all four sides of the seat and backrest, converging at the center of each like an envelope. The woven cord captures the natural look of the indoor version, while being durable enough to withstand the elements outside. Teak's naturally high oil content allows it to stay in fantastic condition in even the harshest of climates, without additional treatment, developing a beautiful silvery patina over time.

Materials & Finishes

BASE FINISH

Natural Teak



SEAT FINISH

Wicker



BACKREST FINISH

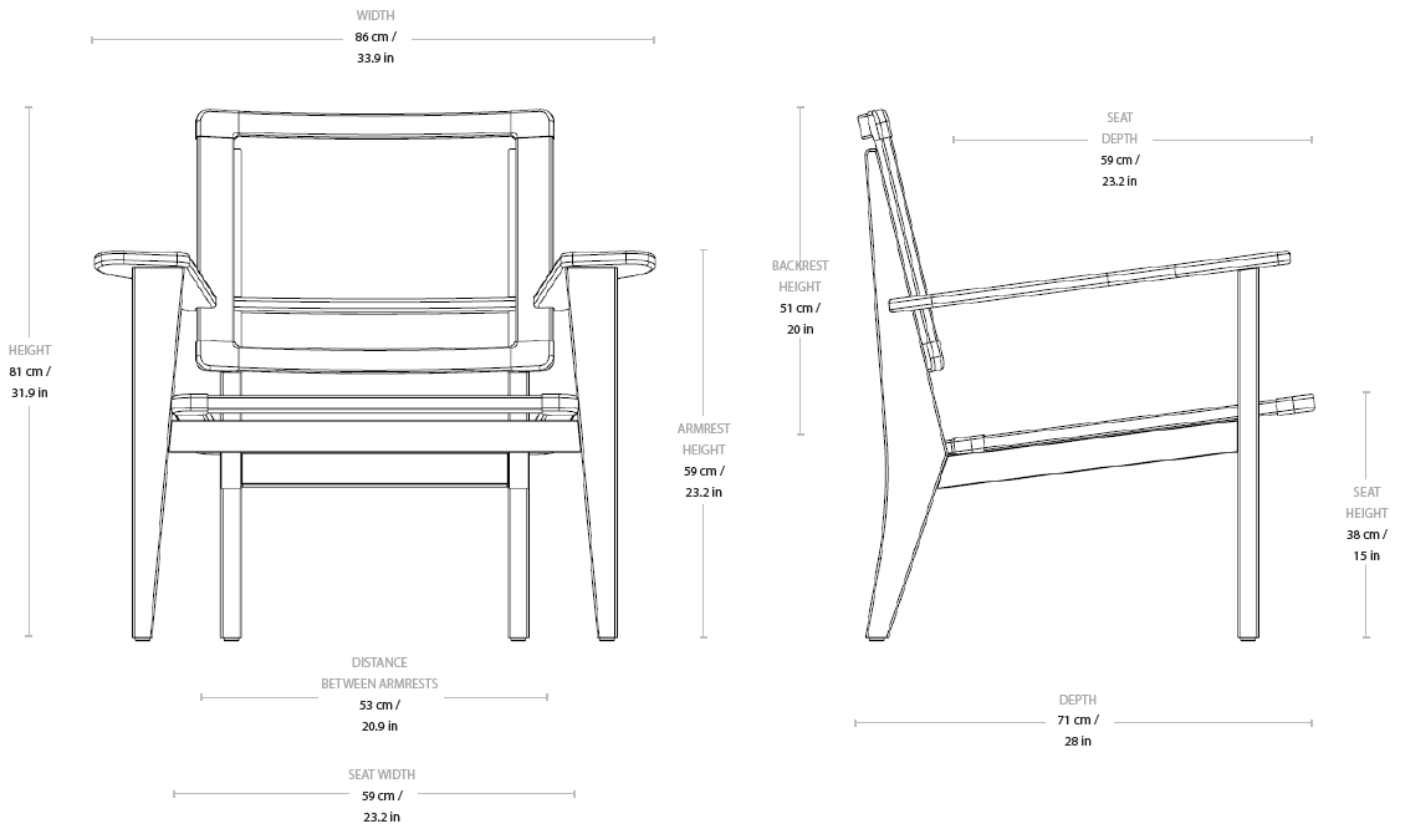
Wicker



MATERIALS

Solid Teak, HDPE Wicker, Stainless Steel Hardware

Dimensions



WIDTH	86 cm / 33.9 in
DEPTH	71 cm / 28 in
HEIGHT	81 cm / 31.9 in
SEAT WIDTH	59 cm / 23.2 in
SEAT DEPTH	59 cm / 23.2 in
SEAT HEIGHT	38 cm / 15 in
BACKREST HEIGHT	51 cm / 20 in
ARMREST HEIGHT	59 cm / 23.2 in
DISTANCE BETWEEN ARMRESTS	53 cm / 20.9 in

Weight

TOTAL WEIGHT	11 kg / 24.3 lbs
---------------------	------------------

Number of parcels	1
PACKAGING LENGTH	90 cm / 35.4 in
PACKAGING WIDTH	76 cm / 29.9 in
PACKAGING HEIGHT	84 cm / 33 in
PACKAGING WEIGHT	4 kg / 8.8 lbs
GROSS WEIGHT	15 kg / 33 lbs

Test & Certifications

EN 581 L 3	Yes, Outdoor Furniture. Strength and mechanical safety requirements for contract use
-------------------	--

SUSTAINABILITY	The F-Chair only uses farmed plantation teak with SVLK certification, which ensures biodiversity, sustainable forestry practices, and provides additional economic benefits to the local economy.
-----------------------	---

Glides

PLASTIC GLIDES	Included as standard
-----------------------	----------------------

KEY FEATURES	Naturally durable teak and weatherproof woven cord. Suitable for outdoor.
---------------------	---
