

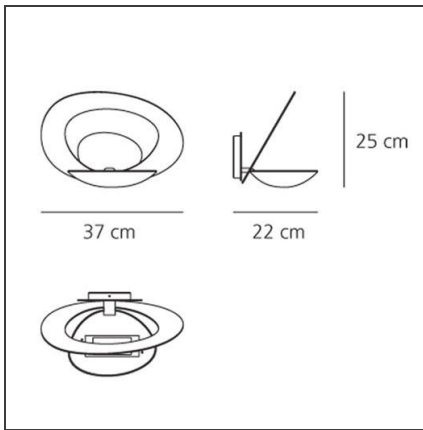
Pirce Wall - White



IP20

Dimmerable: + -

TECHNICAL DRAWINGS



DESIGN BY

Giuseppe Maurizio Scutellà

DESCRIPTION

Wall lamp in painted aluminum, a range extension of the Pirce series.

FEATURES

Article Code:	1240010A	Material:	Aluminum
Colour:	White	Series:	Design
Installation:	Wall	Area contract:	Residential
Environment:	Indoor	Emission:	Indirect

DIMENSIONS

Length:	cm 22	Glow Wire Test:	650
Width:	cm 37		
Height:	cm 25		

NOT INCLUDED SOURCES

Category:	HALO	Color Rendering:	1a
Number:	1	Color temperature (K):	3000K
Watt:	230W		
Lbs:	Qt-de12		
Socket:	R7s		
Duration (h):	2000h		

ALTERNATIVE SOURCES

Category:	LED
Number:	1
Watt:	11w
Delivered lumens output (lm):	1110lm
Type:	2
Socket:	R7s
Class:	A

LUMINAIRE

Watt:	W	Delivered lumens output (lm):	3514lm
Voltage:	220V-240V	CCT:	0K
		Efficiency:	69%
		Efficacy:	15.28lm/W
		CRI:	0