



AYTM

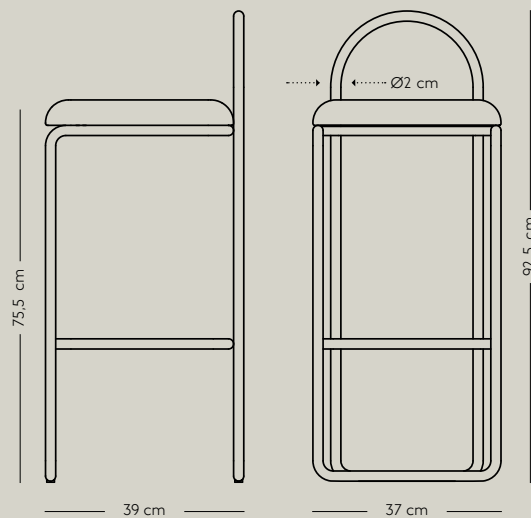
ANGUI BAR CHAIR (LARGE)

Product sheet

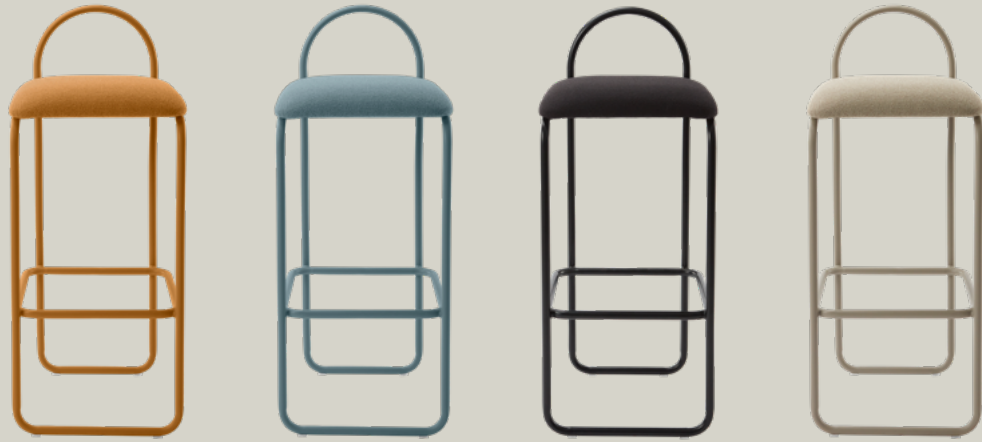


SPECIFICATIONS

<i>PRODUCT TYPE</i>	Bar chair
<i>PRODUCT NAME</i>	ANGUI
<i>COLOURS</i>	Amber bouclé Dusty blue bouclé Anthracite bouclé Taupe bouclé
<i>DIMENSIONS</i>	L37 x W39 x H92,5 cm
<i>WEIGHT</i>	4,8 kg
<i>SITTING HEIGHT</i>	75,5 cm
<i>MATERIAL — FRAME</i>	Steel with powder coating
<i>MATERIAL — SEAT</i>	PU foam & Plywood / MDF
		Fabric: 80% RPET & 20% Polyester (Amber & Dusty blue)
		Fabric: 92% RPET & 8% Polyester (Anthracite & Taupe)
		≈ 2,5 recycled bottles (Gabriel Grain fabric)
<i>GABRIEL GRAIN DESIGN NO.</i>	Amber bouclé: 228763130 Dusty blue bouclé: 228767134 Anthracite bouclé: 228860328 Taupe bouclé: 228861253
<i>GABRIEL GRAIN MATERIAL</i>	Click to read more about Gabriel Grain fabric specifications
<i>QUANTITY PER PARCEL</i>	1
<i>PACKAGING DIMENSIONS</i>	L40 x W42 x H95 cm
<i>PACKAGING WEIGHT</i>	6,5 kg
<i>COMPLIANT WITH</i>	EN 16139; EN 1021-I & 2 ANSI/BIFMA X5.4; TB117-2013
<i>MAX LOAD</i>	160 kg
<i>US FR LEGISLATION</i>	The Gabriel Grain fabric complies with US FR legislation
<i>PLEASE NOTE</i>	For the contract market kindly use the attached feet for recommended stability



VARIATIONS



AMBER BOUCLÉ
Art. No.
50240063608I

DUSTY BLUE BOUCLÉ
Art. No.
50240301708I

ANTHRACITE BOUCLÉ
Art. No.
50240007008I

TAUPE BOUCLÉ
Art. No.
50240007208I

CARE GUIDE — METALS

HOW TO CLEAN / POLISH

POWDER COATED IRON / STEEL / ALUMINIUM

To get rid of dirt and dust, mix a mild detergent with warm water. Dip a lint free cloth into the water & wipe the item down with the cloth. If necessary, wipe the item dry with a soft dry cloth.

(Avoid scraping or rubbing the powder coating with an abrasive cloth that could damage or remove the coating from the surface)

CARE GUIDE — TEXTILES

HOW TO CLEAN / POLISH

BOUCLÉ / GRAIN FABRIC

In case of stains, immediately dab the area with a white cotton cloth to prevent the stain to penetrate the fibers. Then carefully dab the stain in a white cotton cloth with lukewarm water containing a neutral detergent. If the stain has not disappeared, a professional should clean the fabric. Never clean with chemicals.

(Note that colours may fade if the fabric is exposed to strong sunlight for a longer period of time)
(Avoid rubbing hardly on the stain or scraping the stain with an abrasive cloth that could damage the fabric)

STORYTELLING

ANGUI BAR CHAIR / BY AYTM DESIGN TEAM

Taking a moment to relax, and resting your legs for a little while, the ANGUI bar chair is the perfect place to do so. Use it in the hallway, in the bedroom or wherever you need a place to rest. The ANGUI family is a beautiful range of different furniture, including benches, chairs, shelves and mirrors in a wide variety of colours and sizes. The pipe styled frame and tone in tone creates sophisticated pieces that will enhance and contribute to your own personal style.

THE ANGUI FAMILY

Let the alluring curves of the ANGUI family wrap around and dominate your space. The shapes of ANGUI are created to playfully experiment with the organic and graceful movements of a snake.

The soft outlines effortlessly sparks up the atmosphere in a room with its uniqueness
– just like a snake effortlessly passes through any terrain.