

# ATELIER ARETI

## PRODUCT

Balancing variations 368  
Pendant light / 1 globe + 2 cones up

## MATERIALS AND COLOUR OPTIONS

Brushed brass; powder coated metal; white glass

## VERSIONS

Brushed brass structure; black cones (white reflectors)  
368OL-P02-BR01

## TECHNICAL DETAILS

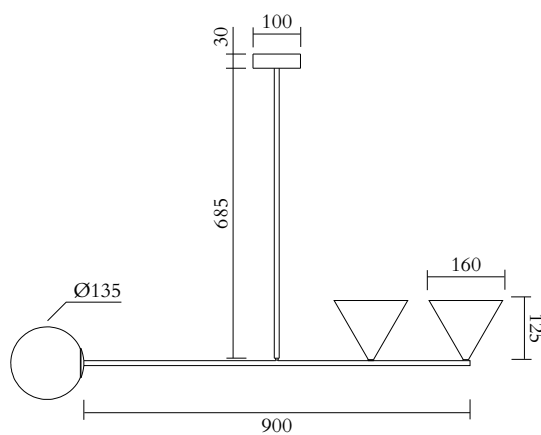
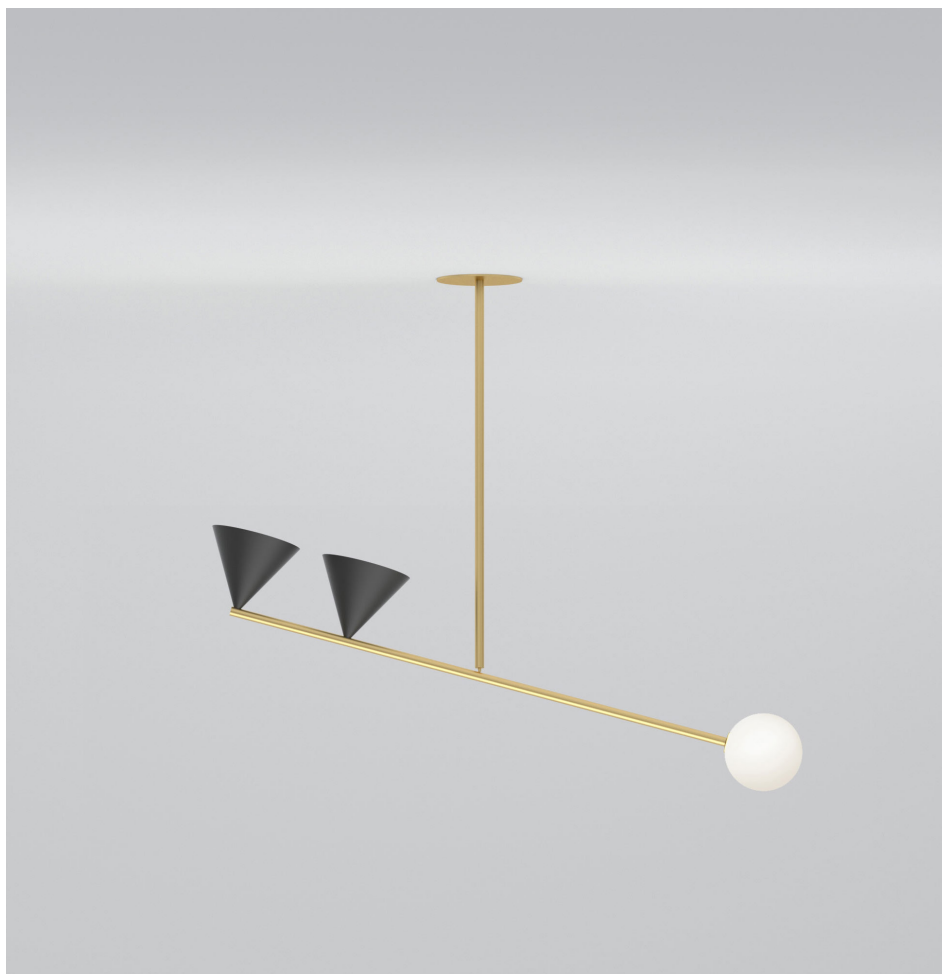
3 x G9 LED 5W max  
110-230V  
IP20  
Light bulbs not included

## NOTE

1. Flat ceiling attachment is available upon request
2. Mirrored bulbs reflect a lot of heat back to the lamp holder. Depending on the space around the lamp holder, the heat might build up above the recommended temperature, especially if the heat is trapped when moving upwards. For this reason, the max. wattage indicated does not apply to mirrored bulbs, but to non mirrored bulbs only. If mirrored bulbs are desired, only those with a low wattage (such as LEDs) should be used. The max. wattage for mirrored bulbs is 5 watt LED (equivalent of 40 watt traditional bulb)

## MADE IN

Germany



Sizes in mm. Flat attachments available under request. Variations in colour and size are available for some collections, please contact Areti for more details.

Our collections are hand made and made to order, small irregularities in shape or surface will occur, they are inherent to the hand made process and should not be seen as flaws. For detailed information on any products: [contact@atelierareti.com](mailto:contact@atelierareti.com)

# ATELIER ARETI

## PRODUCT

Balancing variations 368  
Pendant light / 2 globes + 2 cones up

## MATERIALS AND COLOUR OPTIONS

Brushed brass; powder coated metal; white glass

## VERSIONS

Brushed brass structure; black cones (white reflectors)  
368OL-P04-BR01

## TECHNICAL DETAILS

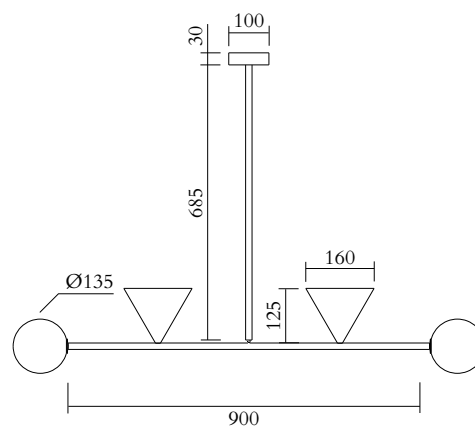
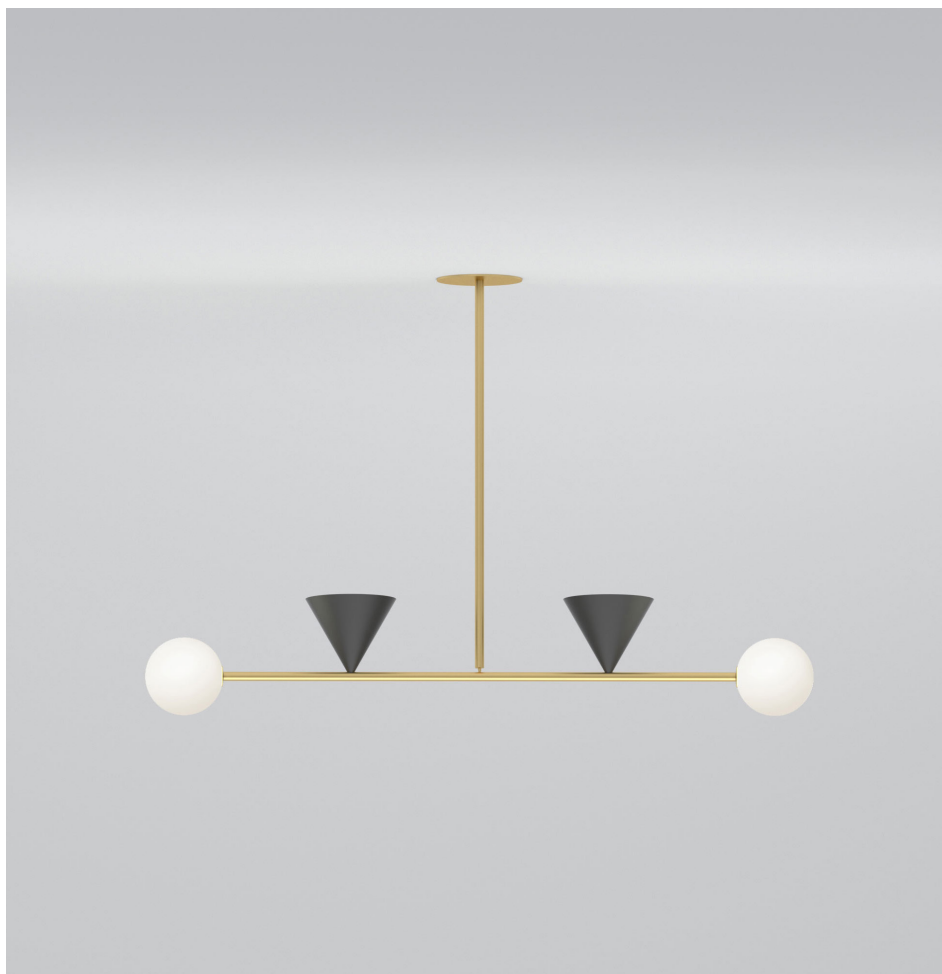
4 x G9 LED 5W max  
110-230V  
IP20  
Light bulbs not included

## NOTE

1. Flat ceiling attachment is available upon request
2. Mirrored bulbs reflect a lot of heat back to the lamp holder. Depending on the space around the lamp holder, the heat might build up above the recommended temperature, especially if the heat is trapped when moving upwards. For this reason, the max. wattage indicated does not apply to mirrored bulbs, but to non mirrored bulbs only. If mirrored bulbs are desired, only those with a low wattage (such as LEDs) should be used. The max. wattage for mirrored bulbs is 5 watt LED (equivalent of 40 watt traditional bulb)

## MADE IN

Germany



Sizes in mm. Flat attachments available under request. Variations in colour and size are available for some collections, please contact Areti for more details.

Our collections are hand made and made to order, small irregularities in shape or surface will occur, they are inherent to the hand made process and should not be seen as flaws. For detailed information on any products: [contact@atelierareti.com](mailto:contact@atelierareti.com)

# ATELIER ARETI

## PRODUCT

Balancing variations 368  
Pendant light / 2 globes + 2 cones down

## MATERIALS AND COLOUR OPTIONS

Brushed brass; powder coated metal; white glass

## VERSIONS

Brushed brass structure; black cones (white reflectors)  
368OL-P05-BR01

## TECHNICAL DETAILS

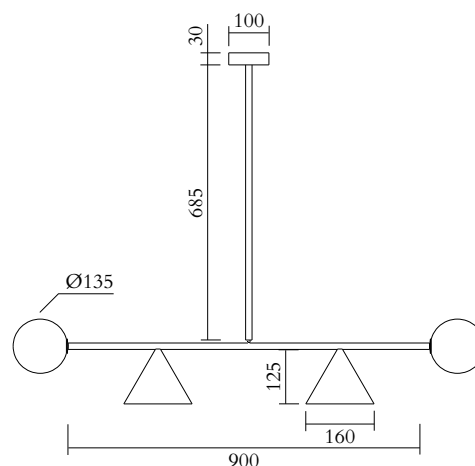
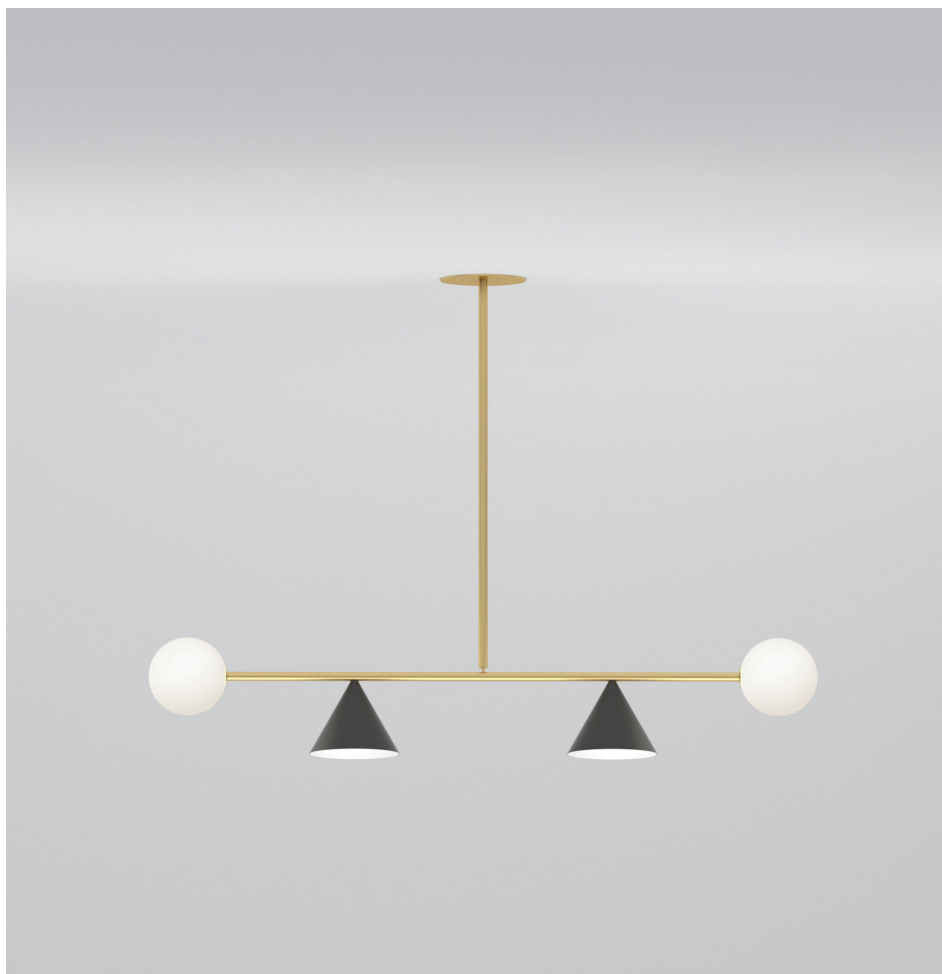
4 x G9 LED 5W max  
110-230V  
IP20  
Light bulbs not included

## NOTE

1. Flat ceiling attachment is available upon request
2. Mirrored bulbs reflect a lot of heat back to the lamp holder. Depending on the space around the lamp holder, the heat might build up above the recommended temperature, especially if the heat is trapped when moving upwards. For this reason, the max. wattage indicated does not apply to mirrored bulbs, but to non mirrored bulbs only. If mirrored bulbs are desired, only those with a low wattage (such as LEDs) should be used. The max. wattage for mirrored bulbs is 5 watt LED (equivalent of 40 watt traditional bulb)

## MADE IN

Germany



Sizes in mm. Flat attachments available under request. Variations in colour and size are available for some collections, please contact Areti for more details.

Our collections are hand made and made to order, small irregularities in shape or surface will occur, they are inherent to the hand made process and should not be seen as flaws. For detailed information on any products: [contact@atelierareti.com](mailto:contact@atelierareti.com)