

alek lounge

Alp Nuhođlu

Armchair



alek lounge



Designer: Alp Nuhuđlu Category: Armchair Family: Armchair, Chair
Environment: Indoor Country of Production: Turkey

Product Details

With its armrests and back designed as a single structure, Alek invites you to a comfortable sitting experience. Cylindrical wooden legs which extend diagonally from the armrest level to the ground bring an aesthetical contrast to the oval formed backrest. The warm feeling of wood that dominates the visual impact is unified with a smooth cushion seat. 70 mm thick cushion seat and the raw look of wood reinforce the feeling of comfort.

Leg

Plastic glides are used under the leg.

Materials

Upholstery

Fabric, Leather, Artificial Leather. COM and COL options are also available.

| | |
|--|-----|
| textile fabric yardage (mt) | 1 |
| real leather square meter(m ²) | 1,4 |

Wood Leg and Frame Finishes: Natural Ash Wood, Black Ash Wood, Walnut Beech Wood

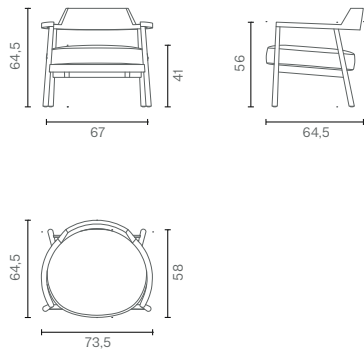
Click to view the fabric and material catalogues via bt.design:

[B&T Fabric Catalogues](#)

[B&T Material Catalogues](#)



Dimensions (cm)



Shipment Details

| | |
|-----------------------|------|
| Cbm (m ³) | 0,35 |
| Weight (kg) | 9 |

Downloads ↓

CAD files and photos are available at bt.design [↗](#)

Care and maintenance instructions are available at bt.design [↗](#)

Warranty

The guarantee policy of B&T Design protects their products in case of any defects regarding manufacturing and materials up to 5 years starting from the date of the invoice. Damages caused by lack of proper maintenance or misuse are not included in this warranty.