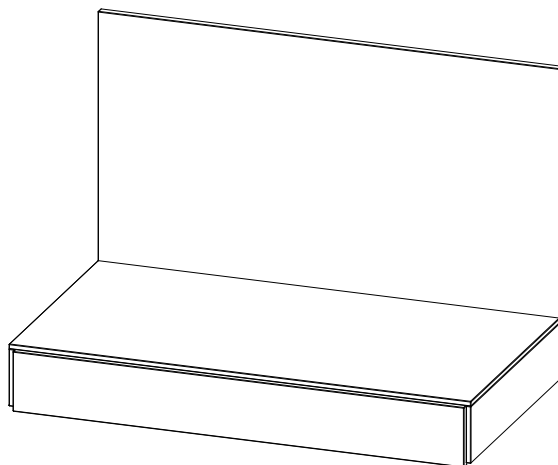


Assembly & Care Guide

Tana Wall Mounted Desk

Rikke Rützou Arned



Thank you for choosing the Tana Wall Mounted Desk designed by Rikke Rützou Arned. We hope you will enjoy it as much as we enjoyed making it. Please follow this guide to ensure correct installation, assembly, and care of your New Works product.

Contents

Product Assembly

Guide for assembly of Tana Wall Mounted Desk _____	5
Mounting wall module on drawer _____	6

Fixation of Wall Bracket

Guide for wall bracket _____	8
1. Define height of the wall bracket _____	8
1.a Measurement _____	8
1.b Decide height of Tana Media Module _____	9
1.c Add the two lengths _____	9
2. Bracket placement _____	9
3. Leveling _____	9
4. Drilling and mounting _____	10

Mounting Tana Desk

Guide for mounting Tana Desk _____	12
1. Hang Tana Desk on wall bracket _____	12
2. Marking and drilling _____	13
3. Mounting _____	13

Attention

Please read these instructions carefully and retain them for future reference to ensure that the product is used correctly. For your safety, please study each step of this guide before you begin the assembly.

New Works will not take any responsibility for accidents or injuries that occur due to misuse or unintended use of the product. This includes use of the product in unintended environments.

If you have any questions, please do not hesitate to contact us via email: info@newworks.dk

Safety Precautions

Universal wall plugs are delivered with this product. Always pay attention to your wall type and use the correct plugs accordingly. If you are mounting directly onto plaster walls we recommend seeking professional help before continuing with the installation.

Always check if you have piping or electrical installations where you intend to install this product. Always consult professionals if you are in doubt.

Cleaning Instructions

Wipe the product with a soft dry or moist cloth. Do not use any abrasive cleaning tools and never use strong cleaning agents such as household glass cleaner, white spirit, or turpentine.

Required Tools

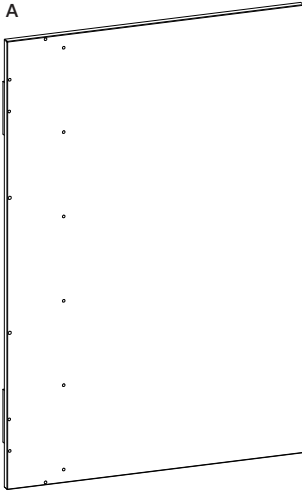
- Power drill
- Drill bit, Ø7 mm
- Spirit level
- Bits, pozidriv or philips
- Unbrako wrench, size 4
- Measurement tool



Product Assembly

Guide for the assembly of Tana Wall Mounted Desk

A



Product assembly

Guide for assembly of Tana Wall Mounted Desk

A - Wall module

B - Drawer module

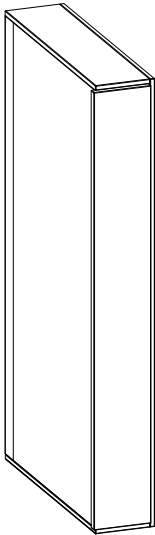
C - 12 pcs. Self-tapping furniture screws

Attention: Make sure to use the correct screws. New Works does not take responsibility for unsafe assembly.

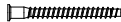
Attention: Always assemble the desk with all available screws.

Note: The number of items shown in the drawing might not correspond to the number of items in your package. This depends on the product you have purchased.

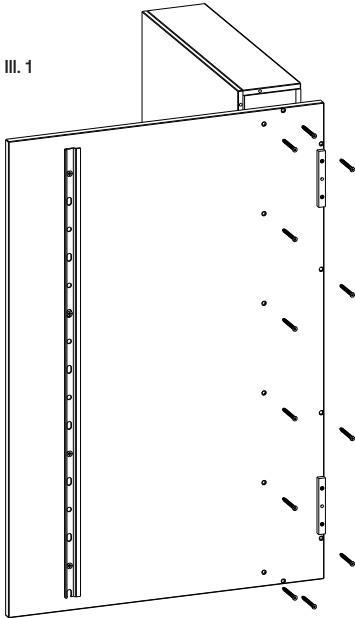
B



C



III. 1

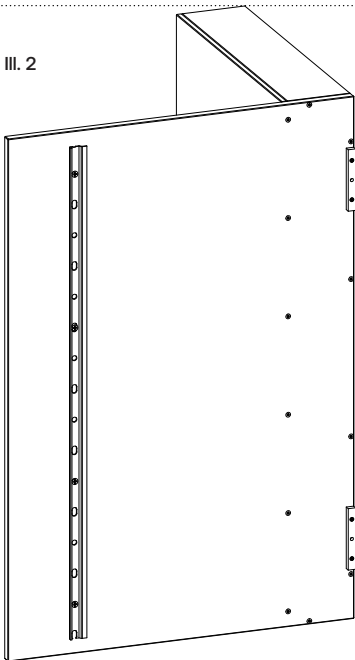


Mounting wall module on drawer

1. Place drawer and wall module on a clean surface to avoid scratches.
2. Tilt both modules to one side and align the holes.
3. Start mounting the top screws to secure stability.
4. Mount the rest of the screws.

Attention: Do not over-tighten the screws.

III. 2



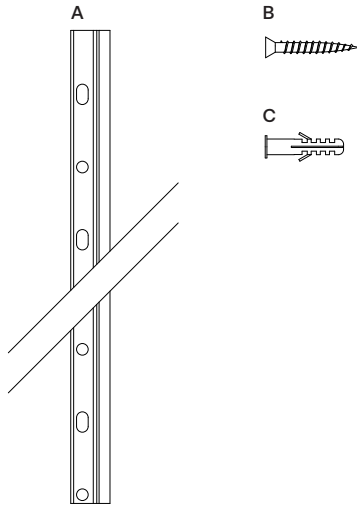
When assembled correctly, Tana Wall Mounted Desk should look like III. 2.

Wall Bracket Fixation

Guide for wall bracket

Fixation of Wall Bracket

Guide for wall bracket



A - Wall Bracket

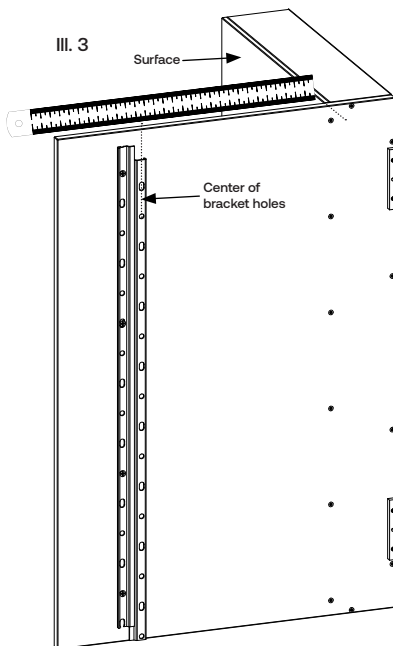
B - 4 pcs. 5x50mm self-tapping screws

C - 4 pcs. Universal Plugs

Attention: Make sure to use the correct wall plugs for your wall type. New Works does not take responsibility for unsafe mounting. Mounting of Tana Wall Mounted Desk onto plaster walls is never recommended.

Attention: Always mount the wall bracket with all available screws.

Note: The number of items shown in the drawing might not correspond to the number of items in your package. This depends on the product you have purchased.



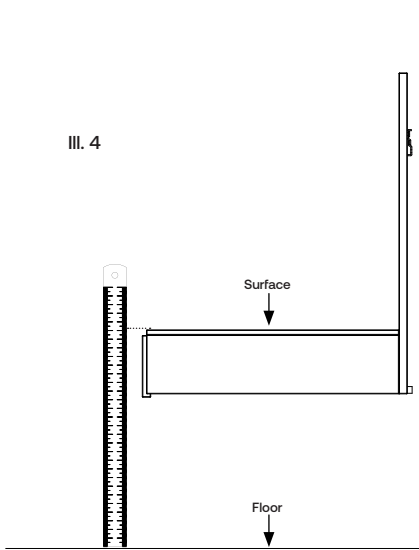
1. Define height of the wall bracket

1.a Measurement

Place Tana Desk on a clean spot to avoid scratches.

Tilt Tana Desk to one side and place the wall bracket inside the mounted bracket.

Measure the distance between desk surface and the center of the bracket holes.



1.b Decide height of Tana Media Module

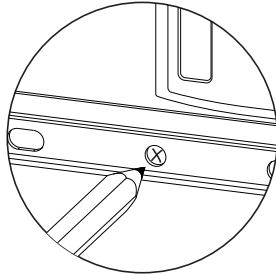
Decide the height in which the Tana Desk is to be hung.
(Typical height: 75cm from floor to desk surface)

1.c Add the two lengths

Add the measurement with the decided height of Tana Desk and the sum of the two numbers is the height of the wall bracket.



III. 5

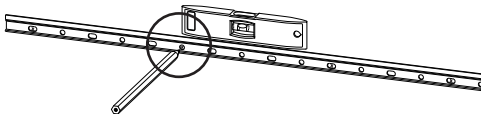


2. Bracket placement

Make a mark on the wall in the defined height.

Place the wall bracket on the wall and center the mark in one of the bracket holes.

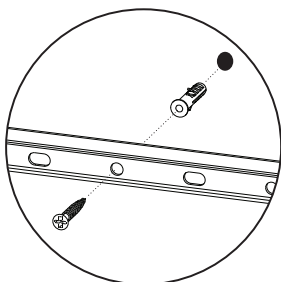
Attention: Remember to determine the horizontal placement. The brackets allows 20 mm of wiggle-room to each side.



3. Leveling

Bring the bracket in level and make marks corresponding to the number of screws.

III. 6



4. Drilling and mounting

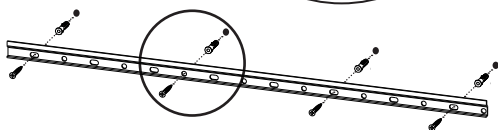
Make the holes using a power drill.

Put in the universal plugs.

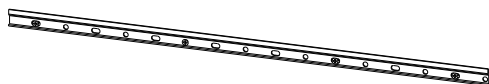
Mount the bracket.

Attention:

Remember to orient the bracket correct.



III. 7



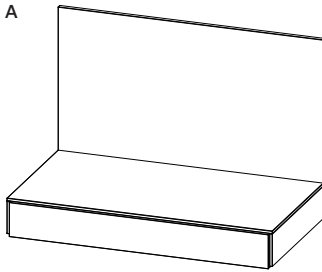
When mounted correctly, Wall Bracket should look like III. 7.

Mounting Tana Desk

Guide for mounting Tana Desk

Mounting Tana Desk

Guide for Mounting Tana Desk



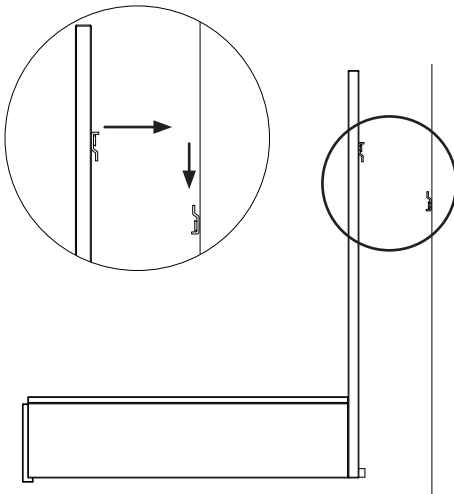
- A - Tana Desk
- B - 3 pcs. 5x70mm screw self-tapping screws
- C - 3 pcs. Universal Plugs
- D - 3 pcs. Washers

Attention: Make sure to use the correct wall plugs for your wall type. New Works does not take responsibility for unsafe mounting. Mounting of Tana Wall Mounted Desk onto plaster walls is never recommended.

Attention: Always mount Tana Desk with all available screws.

Note: The number of items shown in the drawing might not correspond to the number of items in your package. This depends on the product you have purchased.

III. 8

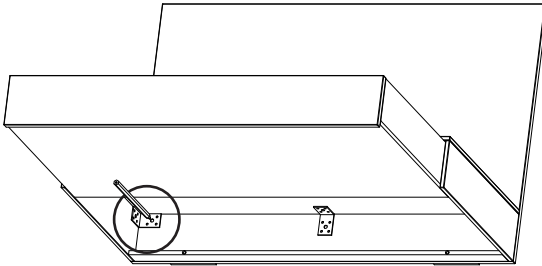


1. Hang Tana Desk on wall bracket

Gently move Tana Desk towards the wall. When the wall is reached lower the desk until the two brackets meet.

Attention: Before letting go be sure that Tana Desk stays on the wall bracket.

III. 9



2. Marking and drilling

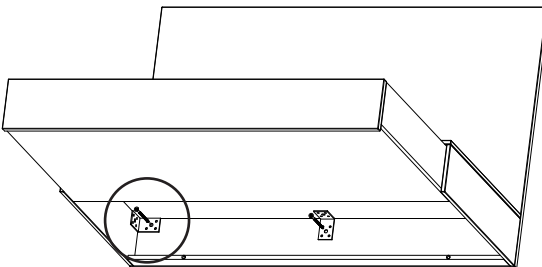
To secure Tana Desk further to the wall pull out the drawer and three brackets will be revealed.

Make three marks through the big center holes - one in each bracket.

Lift Tana Desk off the bracket and find the three marks.

Make three holes using a power drill.

III. 10

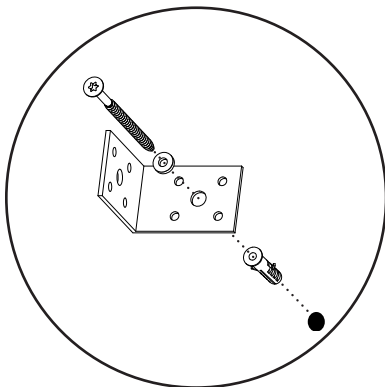


3. Mounting

Put in the universal plugs.

Once again, gently move Tana Desk towards the wall. When the wall is reached lower the desk until the two brackets meet.

Mount Tana Desk.



NEW WORKS.

info@newworks.dk +45 72 30 99 99

Frederiksgade 1, Ground Floor, 1265 Copenhagen, Denmark

www.newworks.dk @newworksdk