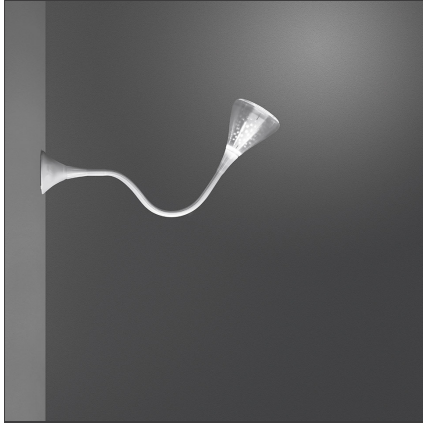


Pipe Wall/Ceiling LED 2700K



IP20    Dimmerable: 

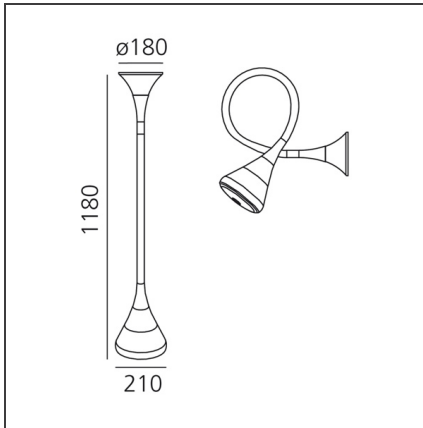
DESIGN BY

Herzog & De Meuron

DESCRIPTION

Wall/ceiling lamp with flexible painted steel structure, covered with a natural anti-yellowing silicone case; wall attachment and diffuser in transparent rubber-effect painted polycarbonate; mirror aluminium reflector with random perforations; painted steel bottom plate. The new internal diffuser is reinterpreting the old fluorescent lamp using a modern LED source, this guarantees the same optical performance with less power consumption and a better quality of light.

TECHNICAL DRAWINGS



FEATURES

Article Code:	0671W10A	Material:	Polycarbonate, steel, silicon
Colour:	Transparent	Series:	Design
Installation:	Wall, Ceiling		
Environment:	Indoor		

DIMENSIONS

Height:	cm 118	Impact Resistance:	IK6
Base Diameter:	cm 18	Glow Wire Test:	960

INCLUDED SOURCES

Category:	LED	Color temperature (K):	2700K
Number:	1	Color Tolerance:	MacAdam 2SDCM
Watt:	24.2W	CRI:	90
Delivered lumens output (lm):	2607lm	Efficacy:	108lm/W
Type:	0	Service Life:	50000-L70
Class:	A		

LUMINAIRE

Power Supply:	Electronic Integrated	Delivered lumens output (lm):	1763lm
Watt:	27W	CCT:	2700K
Voltage:	220-240V	Efficiency:	67%
		Efficacy:	65.30lm/W
		CRI:	90
		Dimmable Typology:	Push

Notes

Flexible and adjustable.