

Miconos Wall - Satin brass



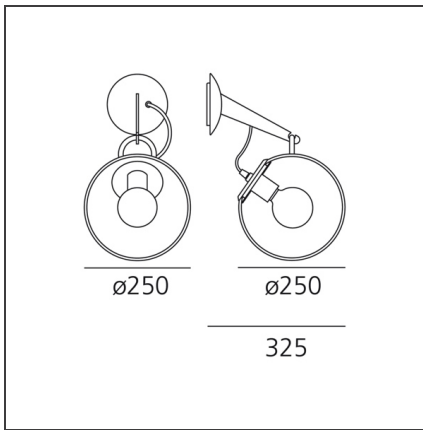
IP20

Dimmerable: + -

DESIGN BY

Ernesto Gismondi

TECHNICAL DRAWINGS



FEATURES

| | | | |
|----------------------|------------------------------|-----------------------|---------------------|
| Article Code: | A020110 | Material: | Blown glass, steel |
| Colour: | Satin brass | Series: | Design |
| Installation: | Wall, Suspension, Ceiling | Area contract: | All projects |
| Environment: | Indoor | Emission: | Diffused And Direct |

DIMENSIONS

Depth: cm 32,5

NOT INCLUDED SOURCES

| | | | |
|----------------------|--------|-------------------------------|-------|
| Category: | FLUO | Color Rendering: | 1b |
| Number: | 1 | Color temperature (K): | 2700K |
| Watt: | 20W | | |
| Lbs: | G90 | | |
| Socket: | E27 | | |
| Duration (h): | 12000h | | |

ALTERNATIVE SOURCES

| | |
|--------------------------------------|--------|
| Category: | LED |
| Number: | 1 |
| Watt: | 12W |
| Delivered lumens output (lm): | 1000lm |
| Type: | 2 |
| Socket: | E27 |
| Class: | A |

LUMINAIRE

| | | | |
|-----------------|-----------|--------------------------------------|--------|
| Watt: | 20W | Delivered lumens output (lm): | 1200lm |
| Voltage: | 220V-240V | CCT: | 2700K |