

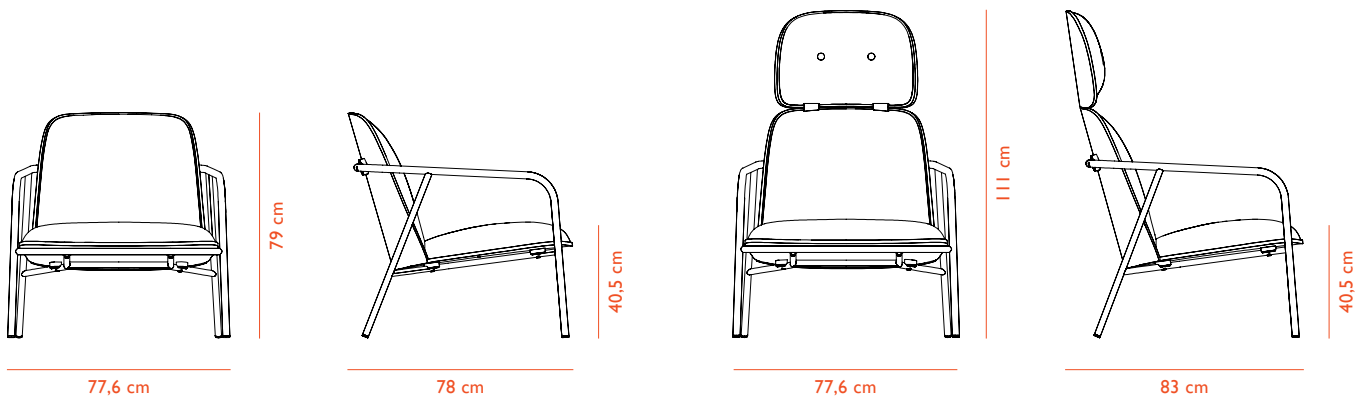
# PAD



The Pad lounge series attains its special character from the combinations of materials, tactility and shape. Molded shells in oak veneer stand in contrast to a soft padded front while a metal frame adds strength and airiness. In full, a balanced design which captures the comfortable and the streamlined, the classic and the foresighted.

## Pad Lounge Chair Low

## Pad Lounge Chair High & Footstool



### DESCRIPTION

Comfortable and streamlined, classic and foresighted, the multi-faceted design of the Pad lounge series is crafted from the aesthetic interplay between contrasting shapes and textures. The series comprises a high and a low lounge chair, as well as a complementing footstool.

### DESIGN

Simon Legald, 2018

### MATERIAL

Shell: Lacquered Oak Veneer / Painted and Lacquered Ash Veneer;

PU Foam with Front Upholstery

Legs: Powder Coated Steel

### CONSTRUCTION

Pad is made in molded oak veneer or painted and lacquered ash veneer with molded PU foam. Inside, it has a steel reinforcement structure for flexibility and the highest possible sitting comfort. Textile or leather front upholstery. Legs are made of powder coated steel tubes. Delivered assembled.

### UPHOLSTERY



Camira  
Main Line Flax



Camira  
Synergy



Sørensen Leather  
Ultra

### BACK SHELL



Oak



Black

### LEGS



Black



Grey