

# ALESSI

## PLISSÉ

COLLECTION



### Project text

*"The "Plissé" kettle's shape is defined by its folds, a technique that is quite old but still very much in use today. With the skilful and creative use of pleating, fashion designers shape fabrics and create clothes like sculptural works of art. "Plissé" was shaped starting from a folded sheet of paper, then developed and produced by Alessi as if it were a beautiful sartorial object. The folds give form to the shape, they structure it, because a form without folds is only a volume without form. The folds transform simple two-dimensional sheets into three-dimensional objects."*

*Michele De Lucchi*

PLISSÉ

Electric citrus-squeezer

---



Nome: Plissé

Codice: MDL07

Designer: Michele De Lucchi

# PLISSÉ

---

Electric citrus-squeezer

## Product Description

In 2018, Michele De Lucchi created the "Plissé", a kettle with a decidedly plastic and sculptural shape that quickly caught the public's interest. With its pleated design reminiscent of a haute couture dress, a beautiful object shaped by a designer, "Plissé" soon established itself as a new icon in our domestic landscape. Continuing to explore the expressive possibilities offered by the surface shaped by a dense series of folds, De Lucchi has created a small collection of household appliances, flanking the first kettle with a juicer, a blender, a toaster and a hand blender.



# PLISSÉ

## Electric citrus-squeezer

### Characteristics / Suggested use

- Made from thermoplastic resin, with the sieve insert being made from stainless steel. The button on the cover operates the opening mechanism. The grooved design of the button reflects the citrus juicer's basic form.
- The cover prevents dust or other contamination from depositing in the juicing area when the appliance is not in use. This makes the citrus juicer not just a small object of interior design, but also ensures it is always ready for use.
- Available in four colour versions: red, grey, white and matt black. The housing and power cable are the same colour.
- The cable is integrated: after use, it can be wound up under the base of citrus juicer.
- Equipped with an automatic start / stop function: simply place the fruit half on the juicer cone and activate the juicer with gentle pressure. The mechanism switches itself off as soon as the pressure stops.
- The pourer is non-drip. It can be open, to pour the juice or closed, to stop it.
- The base is non-slip, ensuring stability during use.
- Electrical power: 80 Watt.
- The thermoplastic resin used to create the container is food-safe. The material is odour-neutral, tasteless and completely free from bisphenol-A (BPA-free). It is 100% recyclable.
- Available in packaging made from recycled cardboard which features a reproduction of the original sketch by the author.
- When not in use, the "Plissé" citrus juicer, with its faceted surfaces and three-dimensional appearance, looks like an interior design object that can be readily left out on the work surface thanks to its decorative shape and style.



### Technical Notes

Plissé - MDL07 Electric citrus-squeezer in thermoplastic resin.  
cm23x15 - h cm 40,5

MDL07 W white	EU CH UK USA
MDL07 G grey	EU CH USA
MDL07 R red	EU CH USA
MDL07 B black	EU CH UK USA

PLISSÉ

Toaster

---



Nome: Plissé

Codice: MDL08

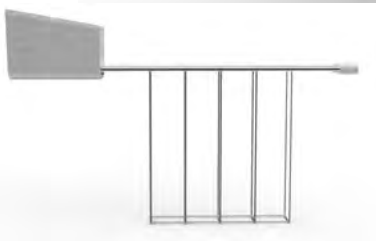
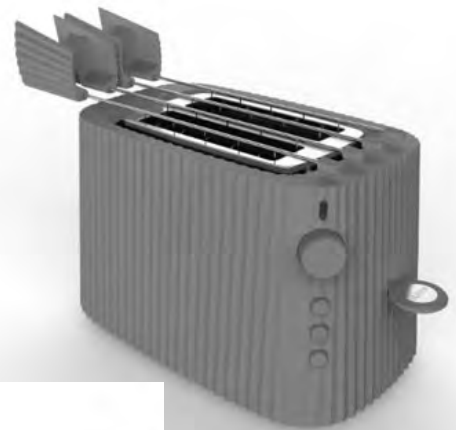
Designer: Michele De Lucchi

# PLISSÉ

Toaster

## Product Description

In 2018, Michele De Lucchi created the "Plissé", a kettle with a decidedly plastic and sculptural shape that quickly caught the public's interest. With its pleated design reminiscent of a haute couture dress, a beautiful object shaped by a designer, "Plissé" soon established itself as a new icon in our domestic landscape. Continuing to explore the expressive possibilities offered by the surface shaped by a dense series of folds, De Lucchi has created a small collection of household appliances, flanking the first kettle with a juicer, a blender, a toaster and a hand blender.



# PLISSÉ

## Toaster

### Characteristics / Suggested use

- The outer shell is made from thermoplastic resin while the internal parts are made from stainless steel.
- The two stainless steel tongs have grips made from thermoplastic resin which match the colour of the toaster shell; they allow slices of bread to be easily inserted into and removed from the toaster.
- The 6 browning levels can be easily adjusted with the relevant button.
- The reheat function allows the bread to be returned to the required temperature within 30 seconds.
- The defrost function allows bread to be thawed before toasting begins.
- The "bagel" function allows just one side of the bread to be toasted.
- The stop function automatically ejects the tongs with the bread.
- The cable is integrated: after use, it can be wound up under the base of toaster.
- The base is non-slip, ensuring safe use.
- Easy to clean. We recommend cleaning the tongs under running water and with non-abrasive soap. - The crumb tray can be easily pulled out like a drawer.
- Electrical power: 850 watt.
- Available in packaging made from recycled cardboard which features a reproduction of the original sketch by the author.
- It is available in four colour versions: red, grey, white and matt black. The housing and power cable are the same colour.
- The tongs are sold separately.
- An object with an elegant design: the colours chosen by the author and the pleated surface offer ample reason why it is a real eye-catcher on any kitchen work surface.



### Technical Notes

Plissé - MDL08 Toaster in thermoplastic resin. cm 30x18,5 - h cm 25

Plissé - MDL08RACK Toast rack in thermoplastic resin and 18/10 stainless steel.

MDL08 W white EU CH UK USA AU

MDL08 G grey EU CH USA

MDL08 R red EU USA

MDL08 B black EU CH UK USA AU

MDL08RACKW white

MDL08RACKG grey

MDL08RACKR red

MDL08RACKB black

PLISSÉ

---

Blender



Nome Plissé

Codice: MDL09

Designer: Michele De Lucchi



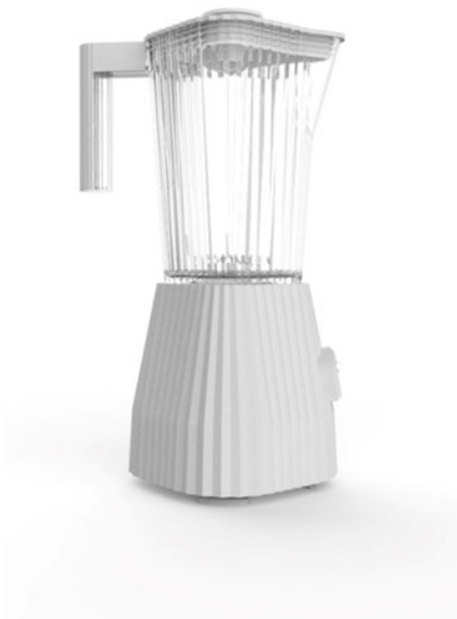
# PLISSÉ

---

## Blender

### Product Description

In 2018, Michele De Lucchi created the "Plissé", a kettle with a decidedly plastic and sculptural shape that quickly caught the public's interest. With its pleated design reminiscent of a haute couture dress, a beautiful object shaped by a designer, "Plissé" soon established itself as a new icon in our domestic landscape. Continuing to explore the expressive possibilities offered by the surface shaped by a dense series of folds, De Lucchi has created a small collection of household appliances, flanking the first kettle with a juicer, a blender, a toaster and a hand blender.



# PLISSÉ

## Blender

### Characteristics / Suggested use

- The base is made from thermoplastic resin, while the mixer jug, handle and cover is made from PCTG. PCTG is a particularly high-quality thermoplastic: it is shiny, lightweight and extremely transparent, while at the same time being superbly resilient. It features superlative thermal properties (-40° to +90°), is free from bisphenol-A (BPA-free) and is 100% recyclable.
- The mixer jug has a square shape and has a comfortable handle, which ensures simple and safe handling. PCTG is especially lightweight, which makes handling significantly easier compared to heavy glass. The maximum capacity is 1.5 litres and the quantities can be measured in litres, cups and ounces. The jug is designed so that liquids can be poured out precisely and without drips or spills. Thanks to a silicon seal, the cover seals hermetically. It has an opening for pouring and is complemented by a measuring cap.
- The cable is integrated: after use, it can be wound up under the base.
- The rotation of the blade can be set at five speeds.
- There is also a pulse button, which can be used to boost the speed of the blade even further at maximum speed (to ensure that the appliance is not pushed beyond its upper limit, this function can be useful for making fruit smoothies, for example).
- Equipped with two safety sensors which block the mechanism when the mixer jug is not positioned correctly on the base and the cover does not fit tightly. This ensures that the mixer is only used under conditions of maximum safety: new ingredients can only be added while the mixer is running through the opening produced by removing the measuring cap.
- The base is non-slip, ensuring stability during use.
- Easy to clean. the mixer jug and blades can be separated. We recommend the use of a wet sponge and a detergent that does not contain abrasive substances.
- Available in packaging made from recycled cardboard which features a reproduction of the original sketch by the author.
- Electrical power: 700 watt.
- Available in four colour versions: red, grey, white and matt black. The housing and power cable are the same colour.



### Technical Notes

Plissé - MDL09 Blender in thermoplastic resin.  
It 1,8 - cm23x15 - h cm 40,5

MDL09 W white	EU CH UK USA
MDL09 G grey	EU CH UK
MDL09 R red	EU USA
MDL09 B black	EU CH UK USA

PLISSÉ

---

Hand blender



Nome: Plissé

Codice MDL10

Designer: Michele De Lucchi

# PLISSÉ

---

## Hand blender

### Product Description

In 2018, Michele De Lucchi created the "Plissé", a kettle with a decidedly plastic and sculptural shape that quickly caught the public's interest. With its pleated design reminiscent of a haute couture dress, a beautiful object shaped by a designer, "Plissé" soon established itself as a new icon in our domestic landscape. Continuing to explore the expressive possibilities offered by the surface shaped by a dense series of folds, De Lucchi has created a small collection of household appliances, flanking the first kettle with a juicer, a blender, a toaster and a hand blender.



## Hand blender

### Characteristics / Suggested use

- Made from thermoplastic resin. The matching mixing container is made from PCTG, an especially high-quality thermoplastic that is shiny, lightweight and exceptionally transparent while at the same time being highly resilient. PCTG has superlative thermal properties (-40° to +90°), is free from bisphenol-A (BPA-free) and is 100% recyclable.
- Two versions are available: "Base" with the immersion blender and mixer container, and "Plus" with the immersion blender, mixer container, stainless steel whisk and universal chopper complete with special PCTG container. Both container versions have a capacity of 700 ml. The container for the universal chopper has a capacity of 350 ml.
- Can be operated at normal or high speed.
- The base of the mixing container and container for the universal chopper is non-slip.
- It is available in four colour versions: red, grey, white and matt black. The housing and power cable are the same colour.
- Power: 500 watt.
- Easy to clean. - The mixing container and container for the universal chopper can be cleaned in the dishwasher at temperature of up to 60°; it is advisable to place them in the top basket.
- Available in packaging made from recycled cardboard which features a reproduction of the original sketch by the author.



---

### Technical Notes

Plissé -MDL10 Hand blender in thermoplastic resin, black. Measuring jug in thermoplastic resin (PCTG).

ø cm 7 - h cm 34

Plissé - MDL10S Hand blender with measuring jug whisk and chopper in thermoplastic resin.

MDL10 W white	EU UK CH
MDL10 G grey	EU CH
MDL10 R red	EU CH
MDL10 B black	EU UK CH

MDL10S W white	EU UK CH USA
MDL10S G grey	EU UK USA
MDL10S R red	EU UK USA
MDL10S B black	EU UK CH USA

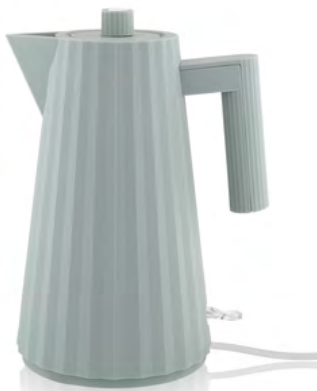
# PLISSÉ

---

Electric kettle

## Product Description

A kettle decidedly plastic in form, by Michele De Lucchi. "Plissé" - this product's very name declares the sculptural nature of its design: like a fabric that a thick pleating transforms into a three-dimensional shape, this kettle is reminiscent of an haute couture dress, a beautiful object sculpted by a fashion designer.



*plissé*

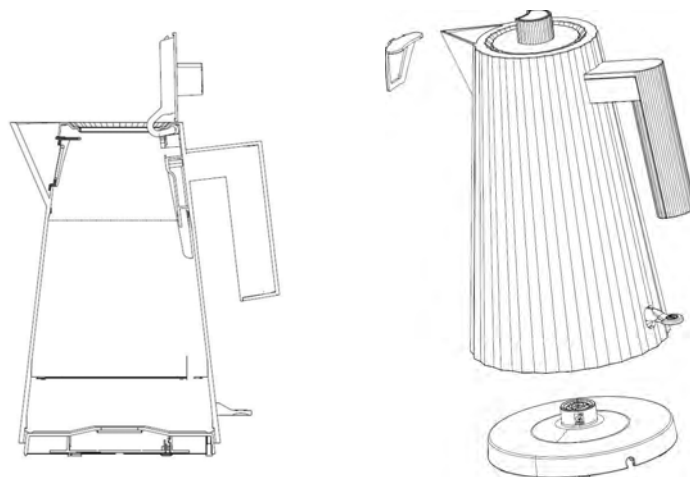


# PLISSÉ

## Electric kettle

### Characteristics / Suggested use

- In thermoplastic resin. The knob on the lid is the button which opens the kettle. On the body of the kettle, under the handle, there is a lever switch for switching on and off. A thick groove, which recalls that of the body of the kettle, also characterises the design of the knob and the handle.
- Available in four colour options: red, grey, white and matt black
- The power supply base is hidden: to the bottom of the kettle body, there is a small opening from which the cable pulls out.
- Adjusting the cable length is easy. Simply turn over the power supply base and unroll the cable using the appropriate loops until the cable is long enough to reach the plug socket.
- On the lever switch, a light indicates when the water heater is active. Once boiling point is reached, the kettle switches off automatically and the switch returns to its original position. To switch off the kettle before the water begins to boil, simply remove it from the power supply base: the heating process will stop and the switch will return to its original position.
- Inside the spout, a filter retains any limestone particles formed inside the kettle. The filter can be removed, rinsed under running water and placed back in the spout.
- To open the lid of the kettle, push the knob/opening button gently backwards. This pulls back the internal release tab which holds the lid closed. The operation is made easier by the shape of the knob which has a slight indentation that transfers the pressure exerted by the finger to open the lid. To close the kettle, lower the lid until the internal tab clicks.
- A symbol (MAX) located inside the body of the kettle indicates the maximum level of water that it can contain.
- A safety device cuts off the power supply if there is too little or no water in the kettle, avoiding possible damage.
- The handle is designed for comfortable, firm grip. The shape of the spout facilitates pouring.
- The base of the kettle is thermally insulated, so even once the water has reached boiling point, it can be placed safely on any worktop/surface.
- To clean the inside of the kettle, we recommend using water and vinegar. For the exterior and for the power supply, it is best to use a damp cloth and a mild detergent.



### Technical Notes

Plissé - MDL06 Electric kettle in thermoplastic resin. cl 170 – cm 21x16 – h cm 29

MDL06 W white	EU UK CH AUS
MDL06 G grey	EU
MDL06 R red	EU
MDL06 B black	EU UK CH USA AUS





# PLISSÉ

---

Electric kettle

## Product Description

A kettle decidedly plastic in form, by Michele De Lucchi. "Plissé" - this product's very name declares the sculptural nature of its design: like a fabric that a thick pleating transforms into a three-dimensional shape, this kettle is reminiscent of an haute couture dress, a beautiful object sculpted by a fashion designer.



---

## Technical Notes

Plissé - MDL06/1 Electric kettle in thermoplastic resin. cl 100 – cm 21 x 16 – h cm 20

MDL06/1 W white	EU
MDL06/1 G grey	EU
MDL06/1 R red	EU UK CH
MDL06/1 B black	EU UK CH

---

## Characteristics / Suggested use

- In thermoplastic resin. The knob on the lid is the button which opens the kettle. On the body of the kettle, under the handle, there is a lever switch for switching on and off. A thick groove, which recalls that of the body of the kettle, also characterises the design of the knob and the handle.
- Available in four colour options: red, grey, white and matt black
- The power supply base is hidden: to the bottom of the kettle body, there is a small opening from which the cable pulls out.
- Adjusting the cable length is easy. Simply turn over the power supply base and unroll the cable using the appropriate loops until the cable is long enough to reach the plug socket.
- On the lever switch, a light indicates when the water heater is active. Once boiling point is reached, the kettle switches off automatically and the switch returns to its original position. To switch off the kettle before the water begins to boil, simply remove it from the power supply base: the heating process will stop and the switch will return to its original position.
- Inside the spout, a filter retains any limestone particles formed inside the kettle. The filter can be removed, rinsed under running water and placed back in the spout.
- To open the lid of the kettle, push the knob/opening button gently backwards. This pulls back the internal release tab which holds the lid closed. The operation is made easier by the shape of the knob which has a slight indentation that transfers the pressure exerted by the finger to open the lid. To close the kettle, lower the lid until the internal tab clicks.
- A symbol (MAX) located inside the body of the kettle indicates the maximum level of water that it can contain.
- A safety device cuts off the power supply if there is too little or no water in the kettle, avoiding possible damage.
- The handle is designed for comfortable, firm grip. The shape of the spout facilitates pouring.
- The base of the kettle is thermally insulated, so even once the water has reached boiling point, it can be placed safely on any worktop/surface.
- To clean the inside of the kettle, we recommend using water and vinegar. For the exterior and for the power supply, it is best to use a damp cloth and a mild detergent.

