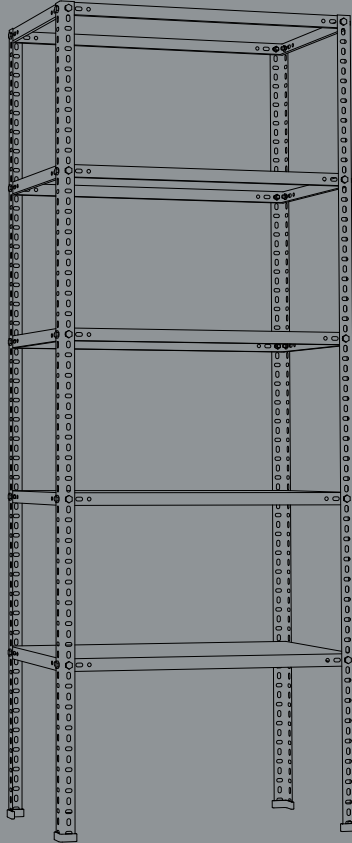


# HAY SHELVING UNIT

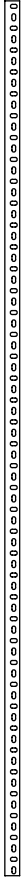


DESIGN BY HAY

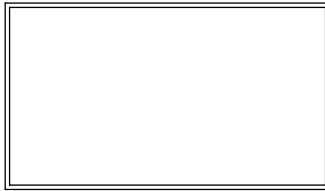
# HAY



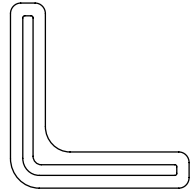
- PARTS -



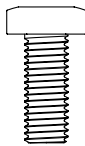
**A** Upright x4



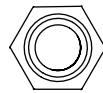
**B** Shelf x5



**C** Glider x4



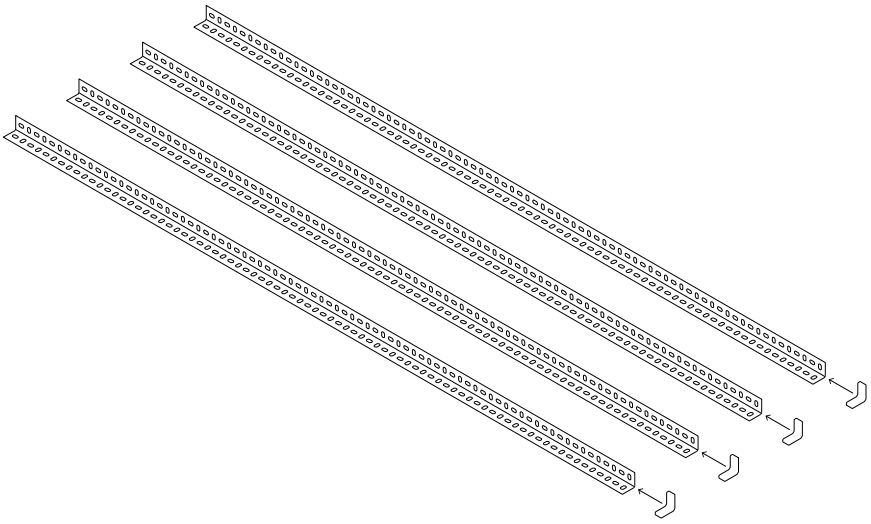
**D** Bolt x40



**E** Nut x40

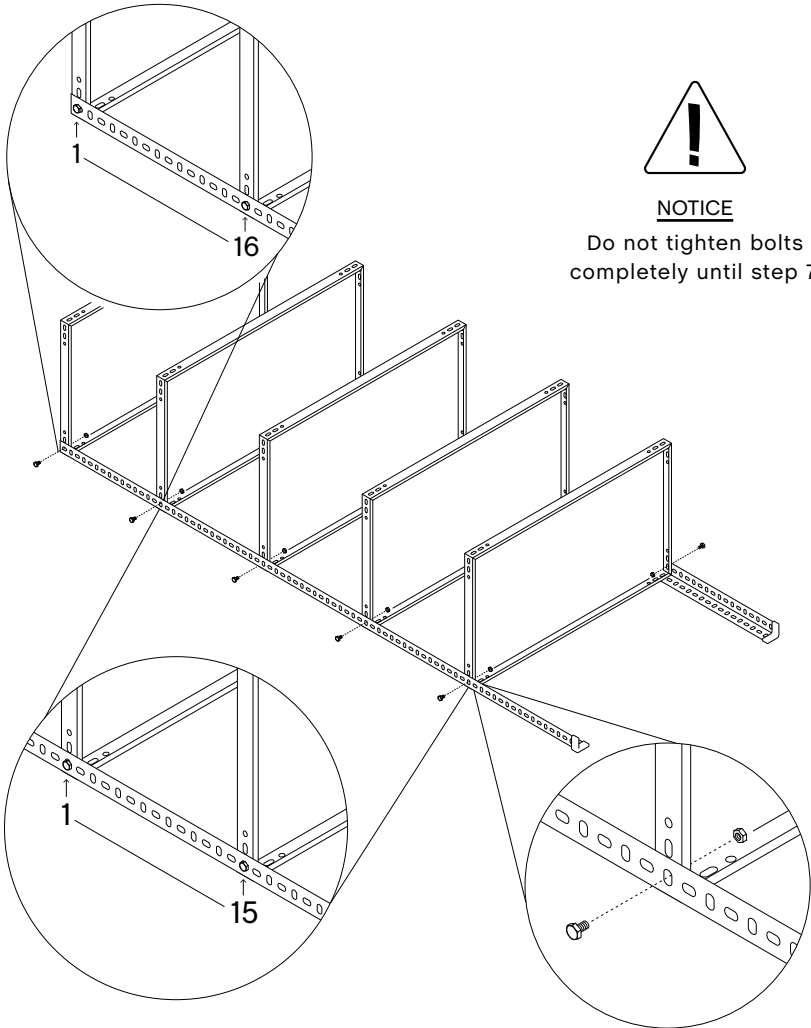
1.

Slide the gliders **C** onto the uprights **A**.



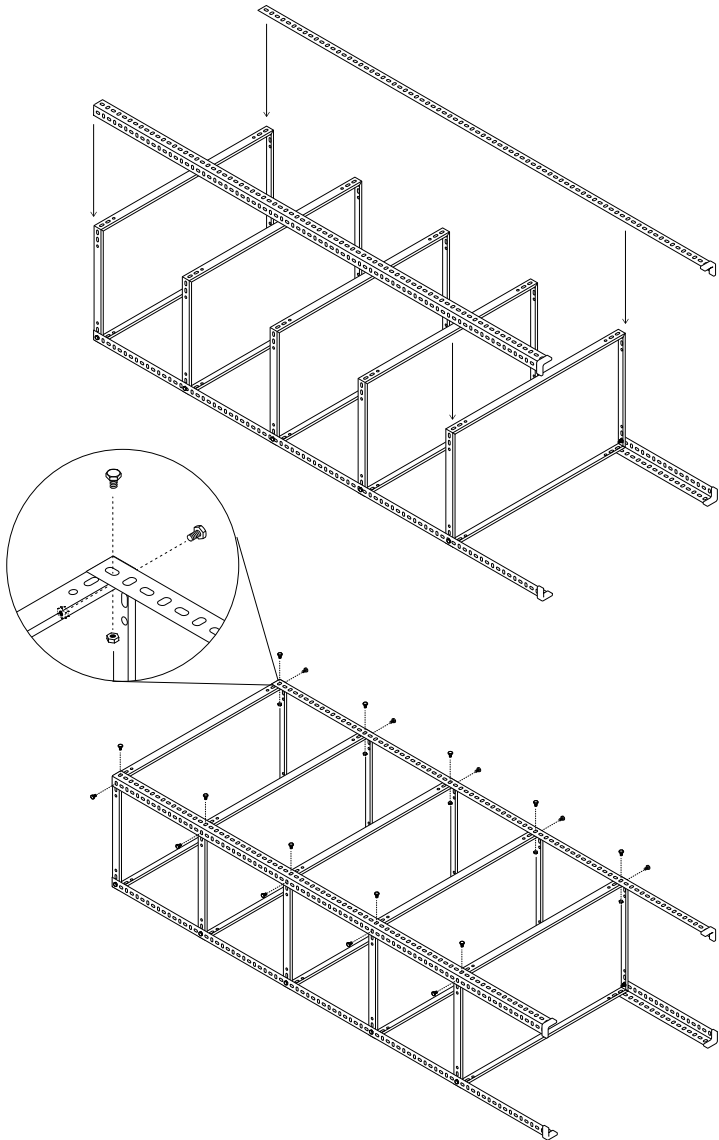
2.

Align the shelves **B** with two uprights **A** as shown in the drawing below. Screw the uprights **A** onto the shelves **B**, using the bolts **D** and nuts **E**. Refer to the details in the drawing below concerning the recommended number of holes between each shelf.



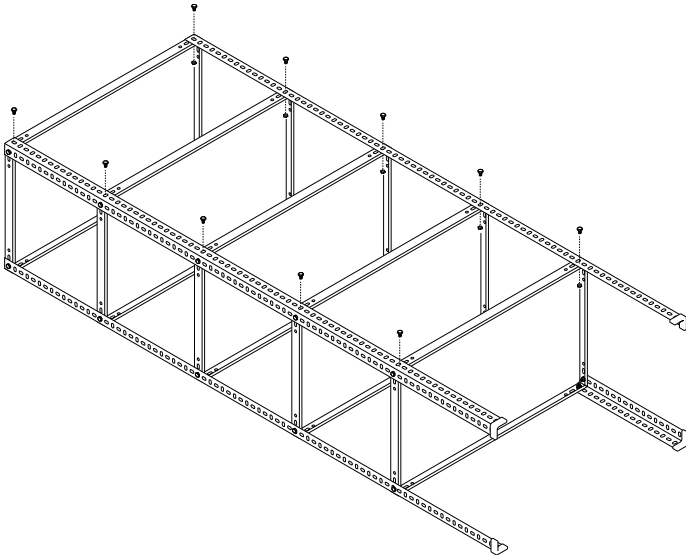
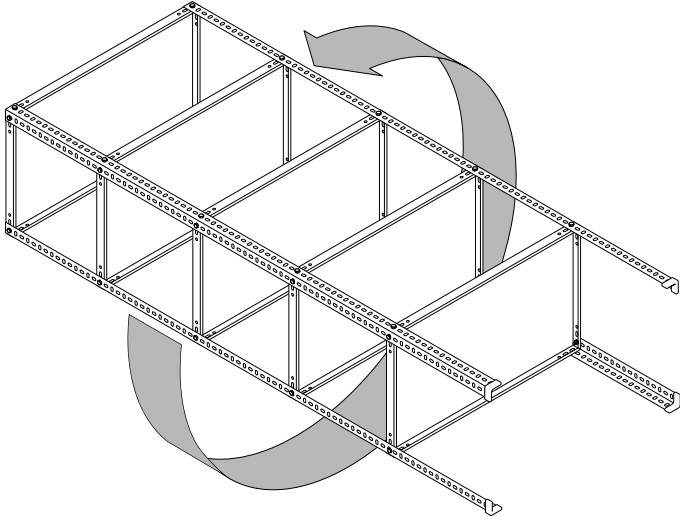
3.

Align the two remaining uprights **A** with the shelves **B**.  
Screw the uprights **A** onto the side and front of the shelves **B**, using the bolts **D**  
and nuts **E**. Make sure they are not completely tightened.



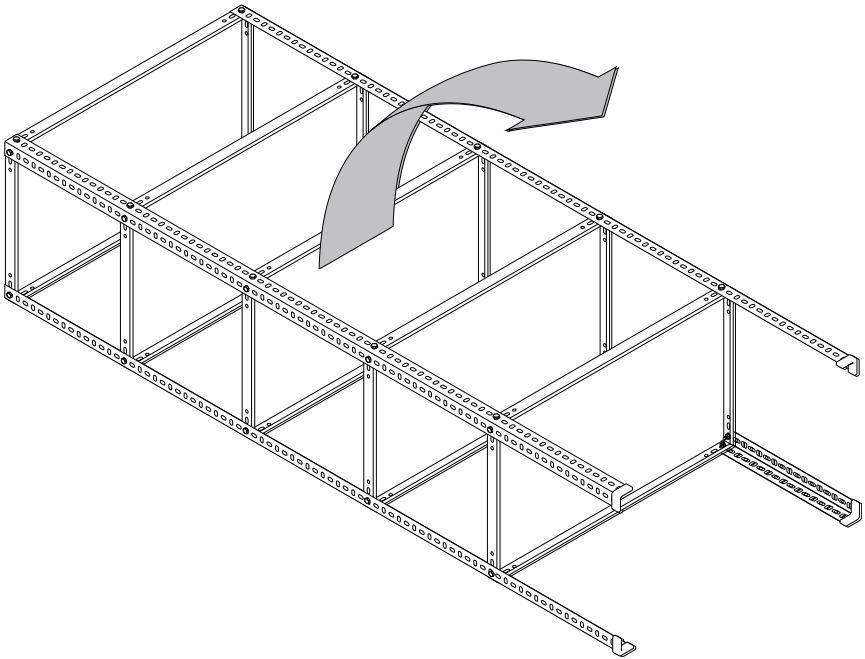
4.

Turn the shelf over (2 persons recommended) and screw the uprights **A** to the back of the shelves **B**, using the bolts **D** and nuts **E**.



5.

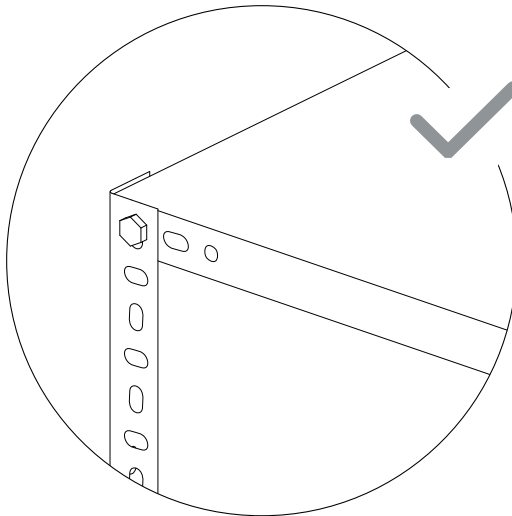
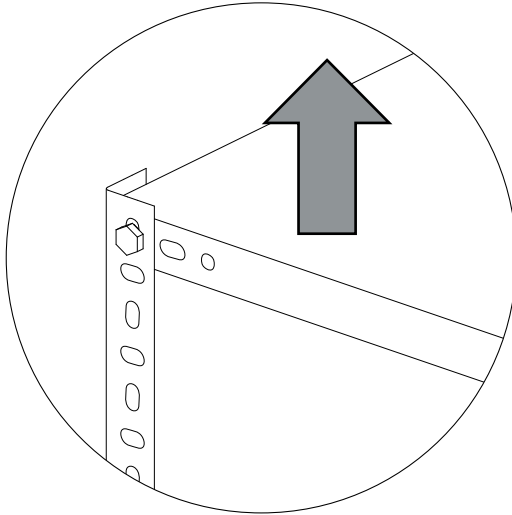
Turn the shelf into an upright position (2 persons recommended).





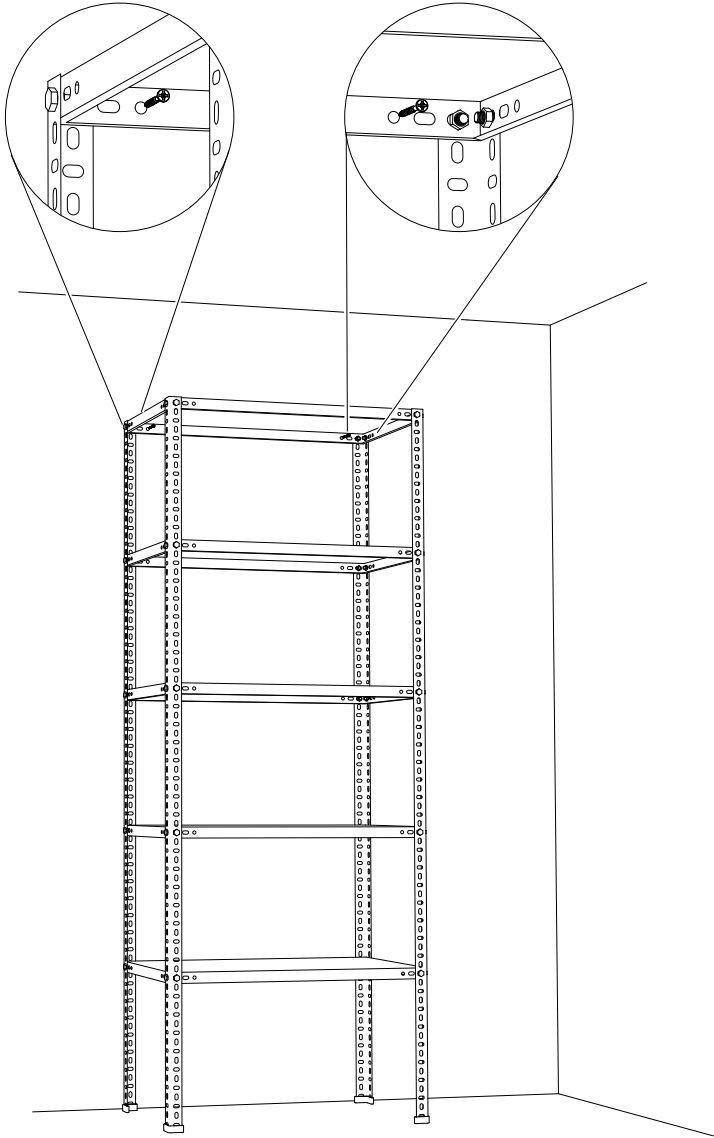
6.

Adjust the top shelf until it is almost level with the uprights.  
Then tighten all bolts completely.



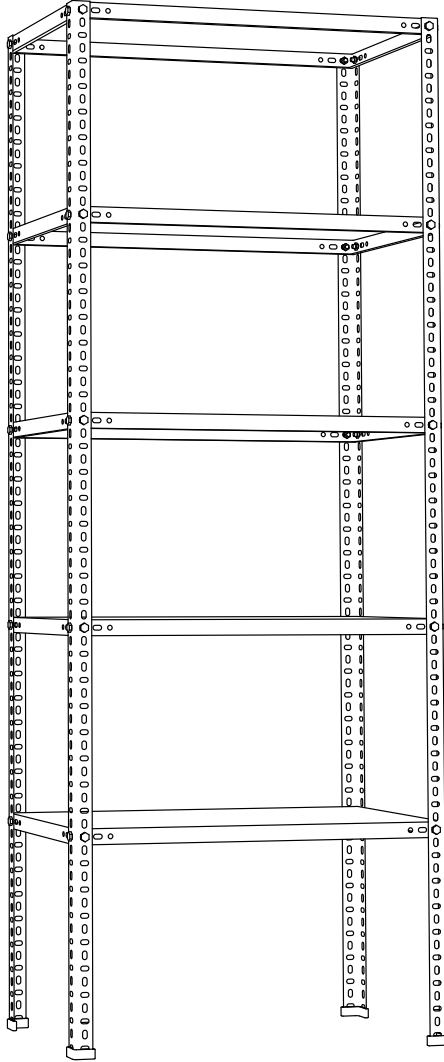
7.

As an extra precaution, screw the shelf to the wall.



8.

Done!



- CARE & MAINTENANCE -

Our Care & Maintenance offers guidance for optimal maintenance of your HAY product. It includes advice and instructions on cleaning and caring for specific materials to prolong the life of your furniture.



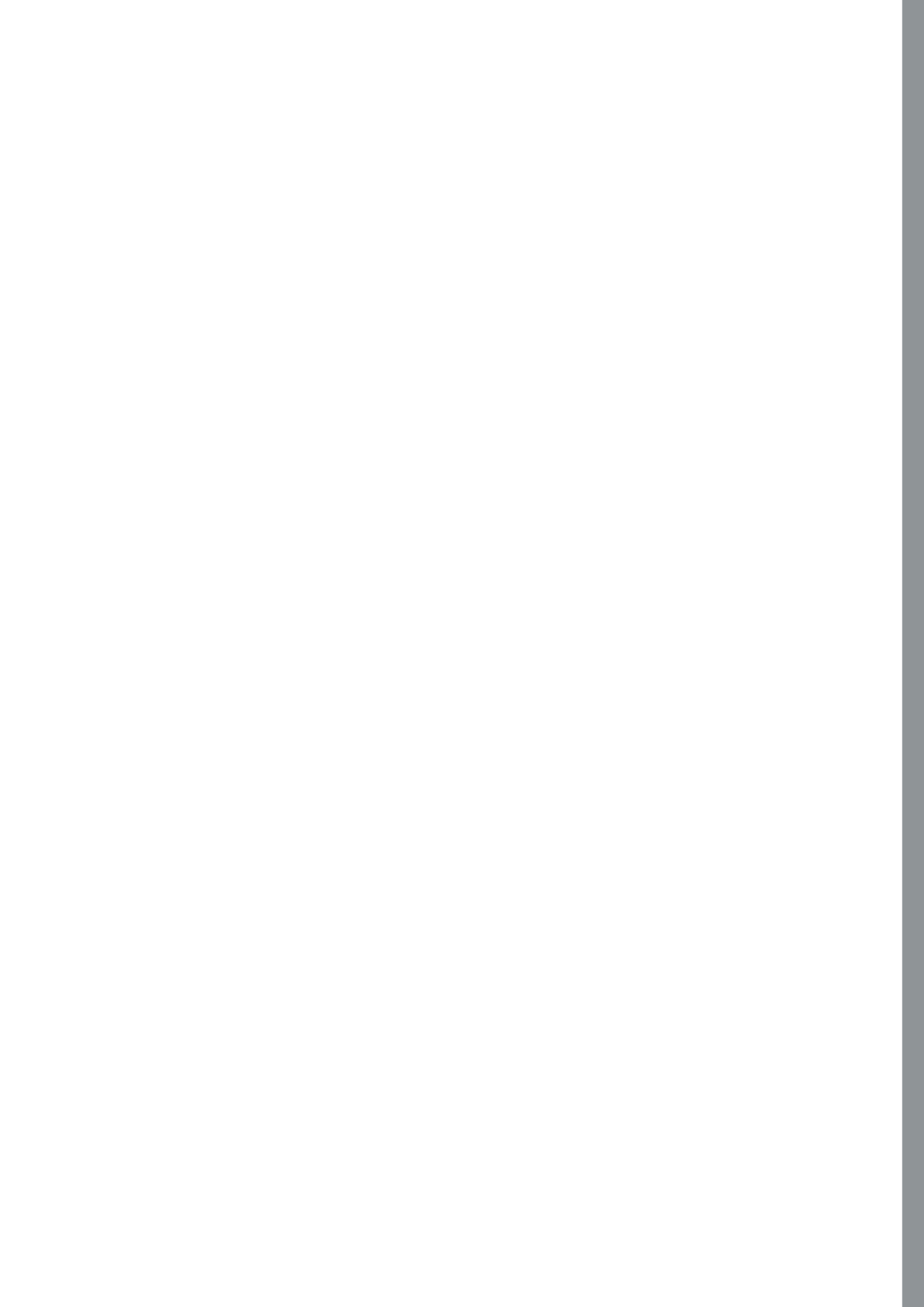
Please find our Care & Maintenance guide by scanning the QR code



You can find more relevant information on Shelving Unit by scanning the QR code

You can also find the same information here  
[hay.dk/downloads](http://hay.dk/downloads)







Havnen 1 8700 Horsens Denmark  
+45 4282 0282 / hay@hay.com

14/10/2021

**HAY**