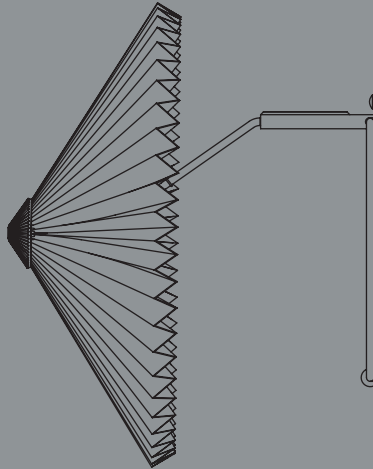


- INSTRUCTION MANUAL -

MATIN WALL



DESIGN BY INGA SEMPÉ

HAY

TECHNICAL DATA

This product is supplied with an integrated LED light source. The expected lifespan of the LED light source is 25,000 hours, which equates to 8-10 years of general use. When the light source reaches its end of life, the whole luminaire should be replaced.

FITTING TYPE | Integrated LED

POWER (W) | 5W

COLOUR TEMPERATURE | 2800K warm white

ATTENTION

Ensure that the power supply to the circuit has clearly been turned OFF before installing the product. In some countries, electrical installation must be carried out by authorised electricians/contractors; please check with your local authority for guidance.

The product must not be modified in any way. HAY accepts no responsibility for any products that have been modified or tampered with. The external flexible cable or cord of this luminaire cannot be replaced. If the cord is damaged, the luminaire should be replaced. This lamp is designed for indoor use only.

NOTE | This equipment has been tested and found to comply with the limits for a Class B digital device, pursuant to part 15 of the FCC Rules. These limits are designed to provide reasonable protection against harmful interference in a residential installation. This equipment generates, uses and can radiate radio frequency energy and, if not installed and used in accordance with the instructions, may cause harmful interference to radio communications. However, there is no guarantee that interference

will not occur in a particular installation. If this equipment does cause harmful interference to radio or television reception, which can be determined by turning the equipment off and on, the user is encouraged to try to correct the interference by one or more of the following measures:

- Reorient or relocate the receiving antenna.
- Increase the distance between the equipment and receiver.
- Connect the equipment into an outlet on a different circuit to the one the receiver is connected to.
- Consult the dealer or an experienced radio/TV technician for help.

CAUTION | Changes or modifications to this unit not expressly approved by the party responsible for compliance could void the user's authority to operate the equipment. This device complies with part 15 of the FCC Rules. Operation is subject to the following two conditions:

- This device may not cause harmful interference.
- This device must accept any interference received, including interference that may cause undesired operation.

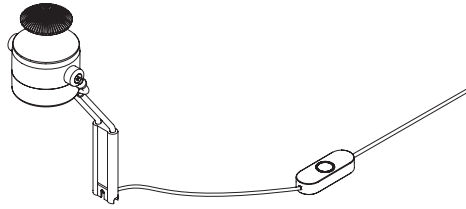
CARE AND MAINTENANCE

Do not use wet or damp cloths for cleaning and maintaining the shade. Please use a dry, lint-free cloth or duster to remove any dirt.

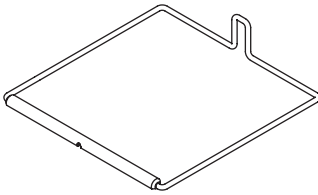
The base can be cleaned with a soft damp cloth and mild detergent, or a dry microfibre cloth. Do not use alcohol or any other solvents to clean the product and avoid using abrasive or rough sponges. Ensure that the power supply has been turned OFF before cleaning the product.



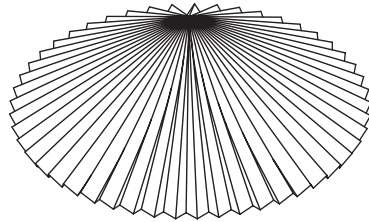
- PARTS -



Stem and Light Engine



Base



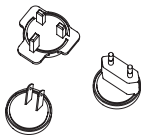
Shade
(comes in separate box)



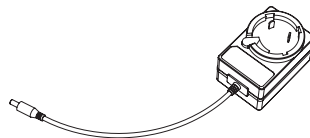
Wall Bracket and Screw



Allen Key



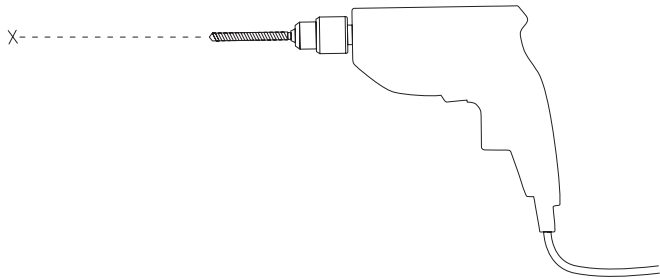
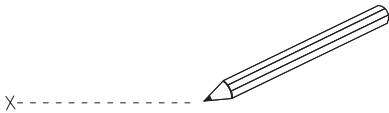
Adapter



Power supply

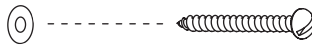
1.

Unpack all the parts and check that you have received all the parts listed. Mark the position of where the lamp should be placed on the wall and drill a hole, using the correct type of drill for the wall you are drilling into.



2.

Insert the wall plug. Ensure you use the correct type of wall plug for the type of wall the lamp is to be mounted on. Once the wall plug is in place, you can insert the screw. Make sure you leave a small gap (approximately 3mm) between the screw head and the wall for the mounting bracket.

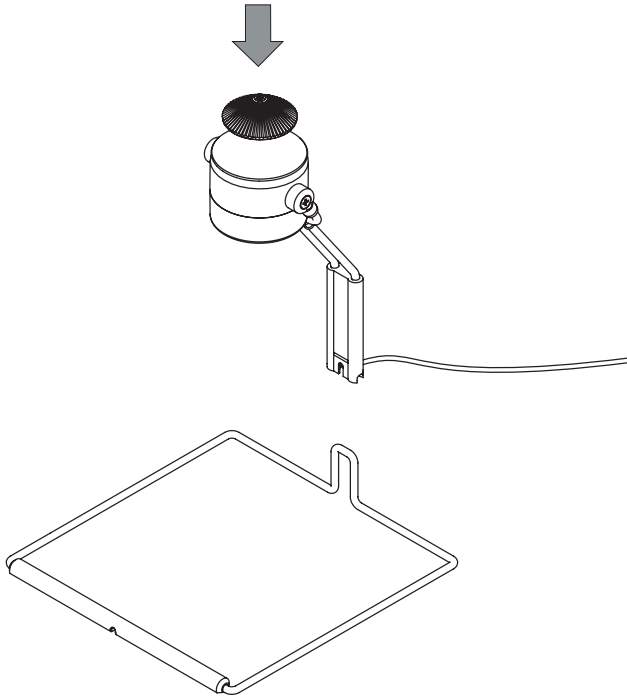


NOTICE

Leave a 3mm gap between
screw head and wall

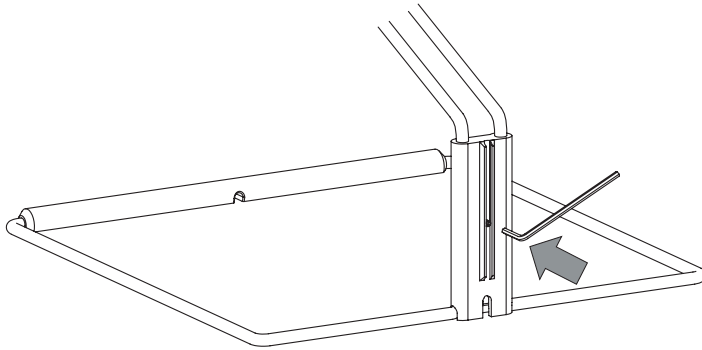
3.

Slide the stem onto the base, as pictured below.



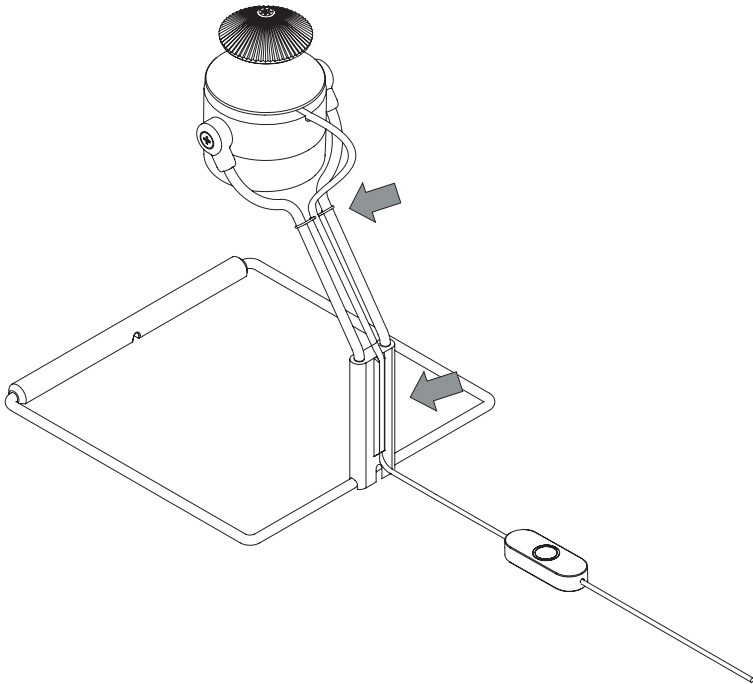
4.

Locate the supplied Allen key and tighten the fixed screw that is located on the back of the connecting piece, turning it clockwise.



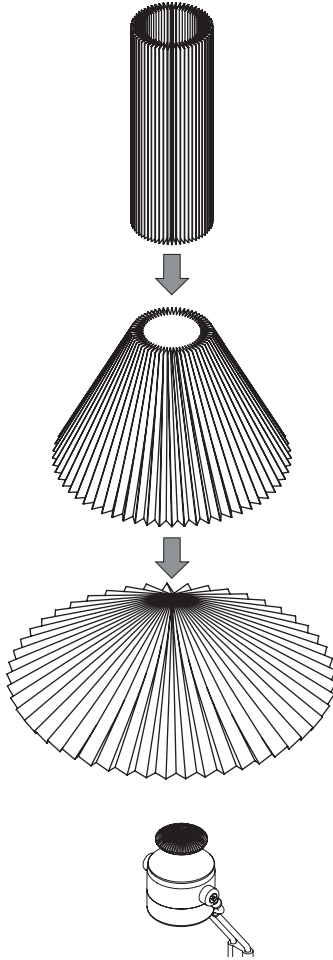
5.

Clip the cable into the cable clip, which is located on the stem, and into the groove on the back of the connecting piece at the bottom of the stem. Make sure you leave enough free cable for the head to move, as pictured below.



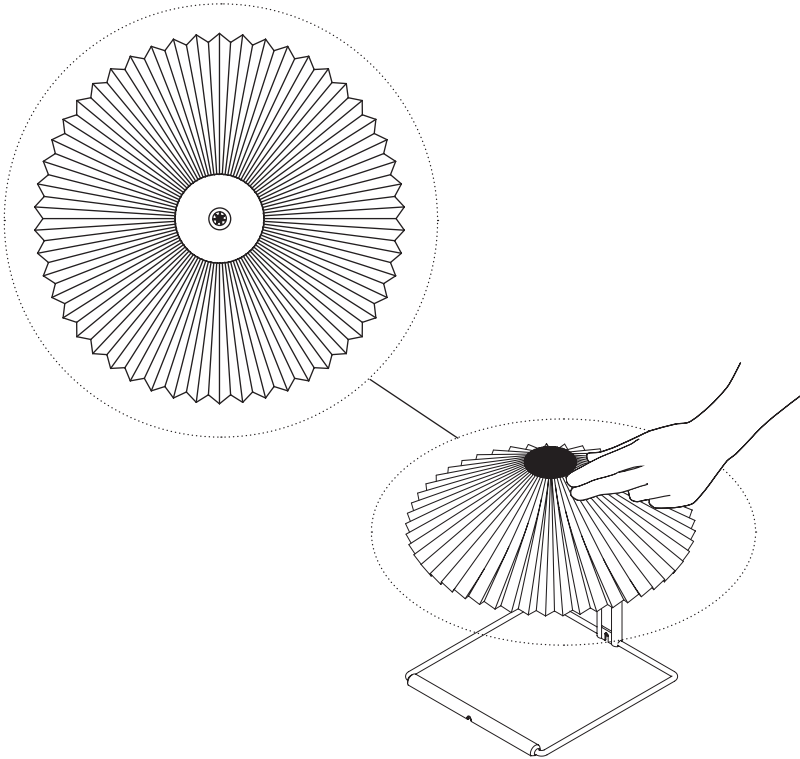
6.

Remove the shade from its packaging and spread out the bottom while simultaneously pushing it down over the top screw so that it rests on top of the top cap. Gently push the top of the pleated shade underneath the top screw, so that it is wedged between the top screw and top cap.



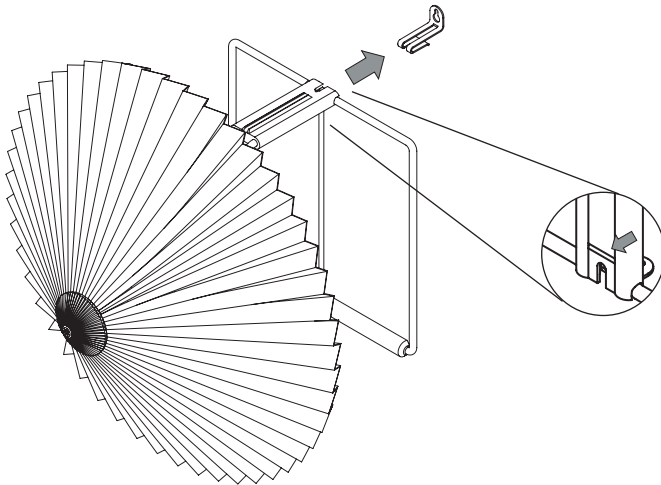
7.

Once the shade is in place, gently adjust the pleats at the top so that they are evenly spread out, as shown below. Once the shade resembles the illustration below, the top screw can be fully tightened.



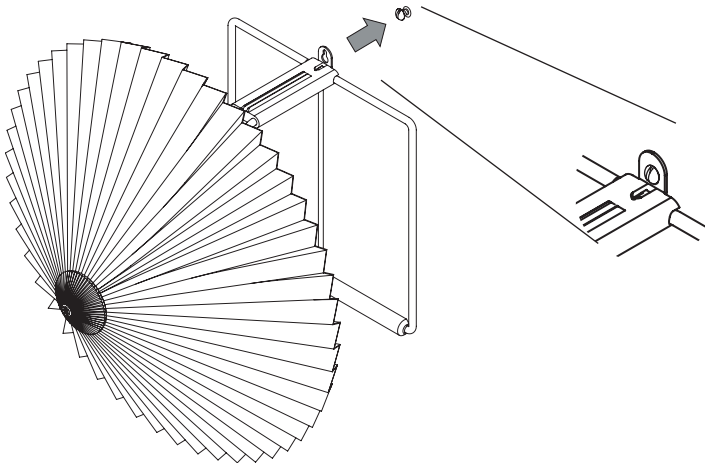
8.

Insert the wall bracket into the end of the plastic connector, making sure to push it all the way in. The wall bracket should grip inside the small slot on the bottom of the plastic connector. If you wish to remove the wall bracket, a flat screwdriver can be inserted into the slot, releasing the wall bracket.

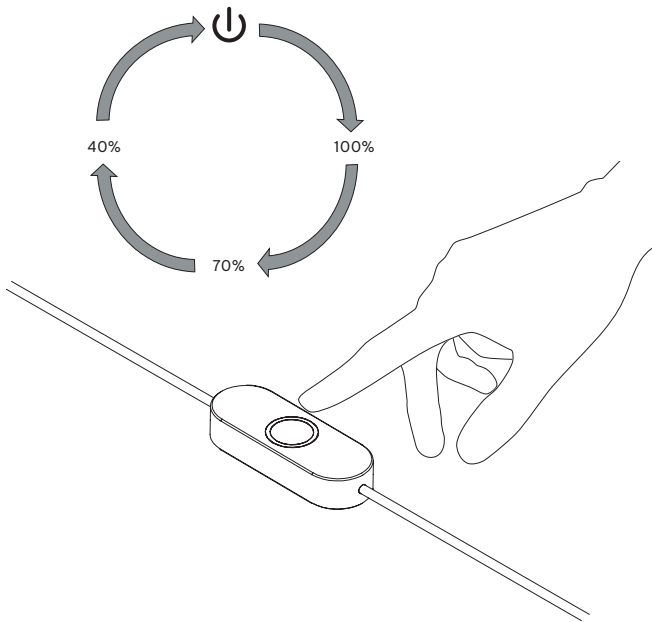


9.

Once the wall bracket has been properly mounted, the lamp can be hung on the wall. Place the screw head through the keyhole on the wall bracket and slide the lamp downwards. The screw can now be properly tightened, making sure that the lamp is firmly in place.

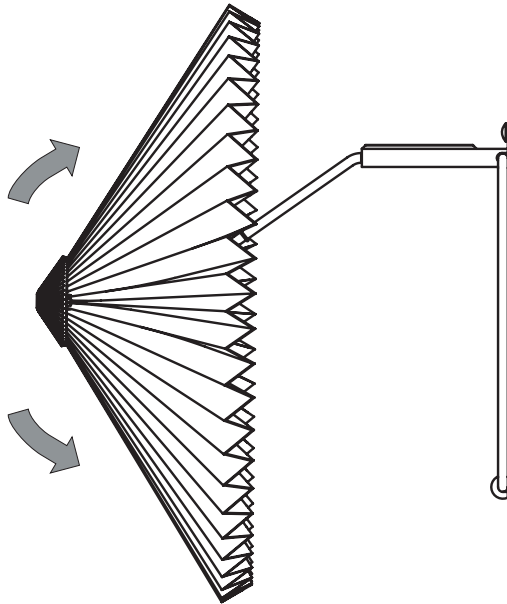


The lamp's inline switch has a three-setting dimmable feature. The first push sets the lamp to maximum brightness, the second push sets it to medium brightness and the third push sets it to lowest brightness. A fourth push will turn the lamp off.



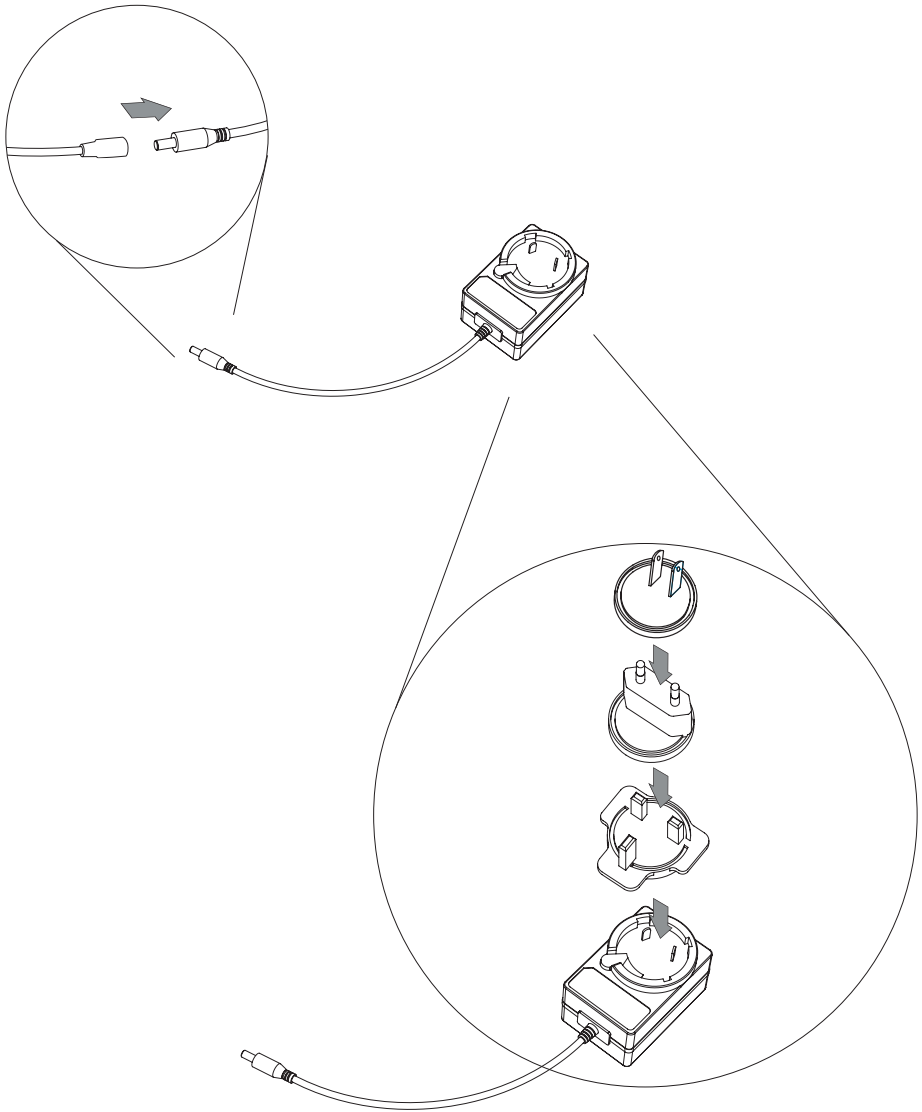
11.

The lamp head can be tilted at an angle of approximately 45 degrees upwards and downwards.



12.

Plug the trailing cable into the power supply.
Attach the correct adapter for your region.
The lamp is now ready for use.



- CARE & MAINTENANCE -

Our Care & Maintenance offers guidance for optimal maintenance of your HAY product. It includes advice and instructions on cleaning and caring for specific materials to prolong the life of your lighting.



Please find our Care & Maintenance guide by scanning the QR code



You can find more relevant information on Matin Wall by scanning the QR code

You can also find the same information here
hay.dk/downloads

Havnen 1 8700 Horsens Denmark
+45 4282 0282 / hay@hay.com

www.hay.com

11/01/2022

HAY