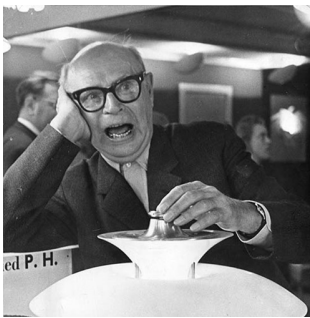


PH 2/1 Table

PH 2/1 Table - 5744166153

The fixture provides soft lighting. PH 2/1 is designed on the principle of a reflecting multi-shade system, creating harmonious and glare-free lighting. The shade design is based on a logarithmic spiral, with the centre of the light source placed in the spiral's focal point.



Poul Henningsen

Poul Henningsen was born in Copenhagen by the famous Danish writer Agnes Henningsen. He never graduated as an architect, but studied at The Technical School at Frederiksberg, Denmark from 1911-14, and then at Technical College in Copenhagen from 1914-17.



Private
residence, Sipoo



Vinbar Ved Stranden

Product info

Mounting

Cable type: Vinyl cord with plug. Cable length: 1,75m. Light control: In-line switch on cord.

Finish

Brass metallised, black metallised or high lustre chrome plated. White opal glass.

Materials

Shades: Mouth-blown white opal glass. Top plate: Brass metallised, black metallised or high lustre chrome plated, machined brass. Base and stem: Brass metallised, black metallised or high lustre chrome plated, brass.

Sizes and weights

Width x Height x Length (mm) | 200 x 355 x 200 Max 1.5 kg

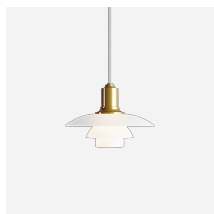
Class

Ingress protection IP20. Electric shock protection II w/o ground.

Light source

1x33W G9

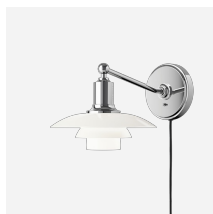
Product family



PH 2/1 Pendant



PH 2/1 Stem Fitting

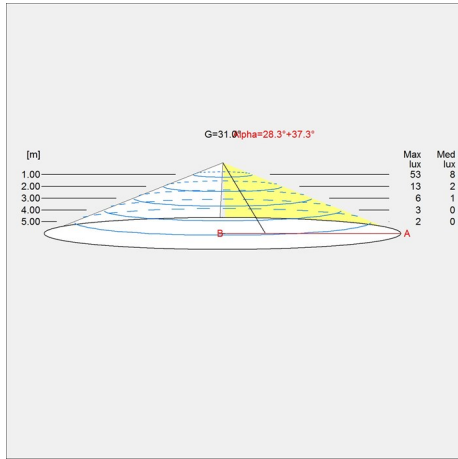


PH 2/1 Wall

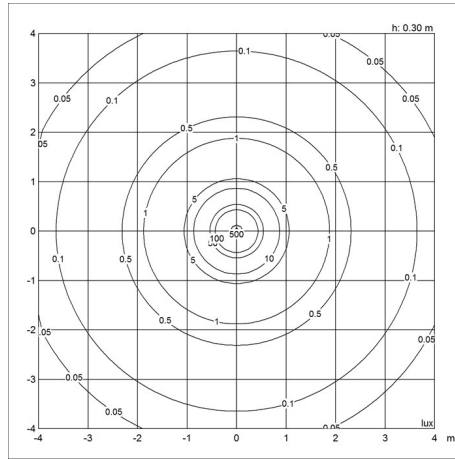


Light distribution diagrams

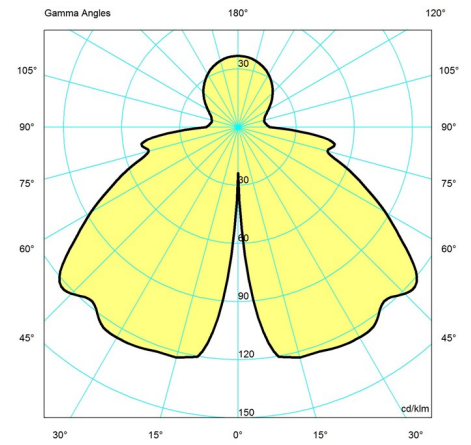
Cartesian



Isolux



Polar



Spare parts & accessories

Product	Variant number
PH 2-1, middle shade glass	5741084940
PH 2-1, lower shade glass	5741084953
PH 2-1, top shade glass Table/Wall	5741084937
PH 2/1 Table, diffuser glass	5744164317
PH 2-1, Table shadeholder chrome	5744164320
PH 2-1, Table shadeholder black PVD	5744164333
PH 2-1, Table shadeholder brass PVD	5744164362
PH 2-1, lower shade amber glass	5744169396
PH 2-1, middle shade amber glass	5744169406
PH 2-1, top shade amber glass Table	5744169419

Data specifications

Colour	Black metallised	Length	200
Width	200	Height	355
Built-in Height	-	IP class	20
Class	II	Net Weight	1.5

PH 2/1 Table

Standby (W)	-	Power Factor (P = 100 % / P = 50 %)	-
Inrush Current	-	Light source	1x33W G9
Kelvin	-	CRI	-
SDCM	-	Lumen	-
Watt	-	Efficacy	-
Light control	-	Min. Dim Level (%)	-
UGR Transversal / Axial	17.4/17.4	L80B50 (hours)	-
Driver life	-		