

Swing

design **Ron Gilad** / 2022

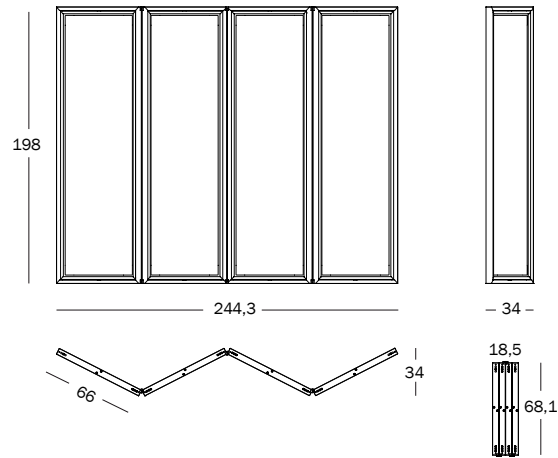
Ron Gilad transforms the partition into a theatrical backdrop that can be moved to create one or many secluded spaces.

Swing is a versatile partition screen that opens and closes easily on a central axis: comprising four pivoting panels, it can be passed through like a door or closed where needed to produce a temporary subdivision within any space.

The panels are sound absorbing and made in flame resistant polyester felt. Frame in anodized aluminium. The panels are available in three colours.

material /

Frame in extruded anodized aluminum, with 4 sound absorbing panels in flame retardant polyester.



colours /



Frame in aluminium / Anodized natural
Panels / Anthracite



Frame in aluminium / Anodized natural
Panels / Beige



Frame in aluminium / Anodized natural
Panels / Light Blue