

Substance — design Naoto Fukasawa, 2016



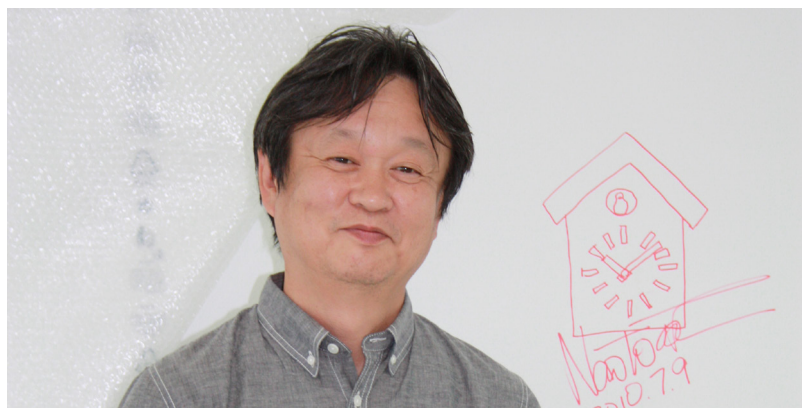
I wanted to try working on a chair that has a simple cross junction of two U-shaped legs. Then I wanted to put a simple shell on top.
Combining the bending details of the legs and the bottom curve of the shell of this chair creates such a friendly feeling.
It is common to have a chair with a shell and legs that extend off the shell whereas this bending detail on Substance gives a fresh quality.

I believe we have successfully produced a sustainable chair.

Naoto Fukasawa



Designer in Magis

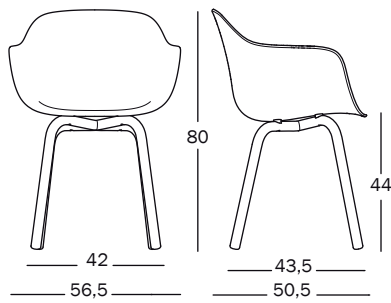
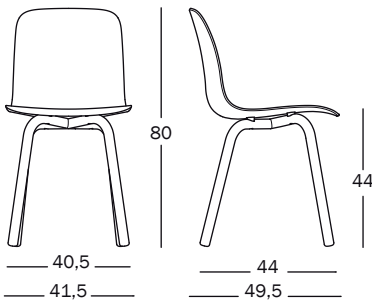


magisdesign.com

Substance — design Naoto Fukasawa, 2016
 Technical Sheet

Chair and armchair

Material: frame in anodised aluminium tube. Magis logo is stamped on each product of our collection vouching for their originality.
 Seat in polypropylene or in polypropylene covered in fabric (Kvadrat "Sunniva") or in premiumgrade leather.



Frame: Natural Aluminium
 Seat: Beige 1452 C



Frame: Natural Aluminium
 Seat: Mustard 1015 C



Frame: Natural Aluminium
 Seat: White 1735 C



Frame: Black Aluminium
 Seat: Black 1768 C



Frame: Natural Aluminium
 Seat: R1 Sunniva Beige (717)



Frame: Natural Aluminium
 Seat: R2 Sunniva Pink (236)



Frame: Natural Aluminium
 Seat: R3 Sunniva Light Green (132)



Frame: Black Aluminium
 Seat: R4 Sunniva Dark Grey (1079)



Frame: Natural Aluminium
 Seat: Natural Leather L-0090



Frame: Black Aluminium
 Seat: Black Leather L-0060



Designer



Naoto Fukasawa

To design shape is to give form to values that people tacitly share and wish for. Naoto Fukasawa visually captures these values and draws their exact outline. His ability to visualize the unseen outlines of things is not easily worded and described, nonetheless, people are immediately convinced of his ability when they experience his design.

Fukasawa's notions and expressions in approaching the essential values of things through design transcend borders and domains, and his thoughts are well respected internationally.

