

VL38 Floor

VL38 Floor - 5744163208

The fixture emits downward directed light. The angle of the shade can be adjusted to optimize light distribution. The shade is painted white on the inside to ensure a soft comfortable light.



Vilhelm Lauritzen

Vilhelm Lauritzen (1894–1984) is one of the most significant architects in the history of Denmark; he was the trail-blazing figurehead of Danish functionalism. A number of his buildings – Nørrebro Theatre (1931–32), Daells Varehus department store (1928–35), Radihuset (1936–41) and the first airport built in Kastrup (1937–39) – represented the concentrated essence of contemporary life.



Product info

Information

Please note that the brass surfaces are untreated. This means that the surface will change over time and develop a patina. Function to set a fixed light level each time the lamp is connected to main power. LED driver fitted externally on cord. Two light levels 50% or 100%. Timer function to automatically turn off the light after amount of time, selectable between off/4 hours/8 hours. Adjustable (up and down) lamp shade. For LED replacement kit please contact Louis Poulsen. The innovation of the LED technology is constant. The specifications mentioned are based on present technology.

Mounting

Cable type: Plastic cord. Cable length: 4m. Light control: In-line switch on cord. 2 light levels. Timer function: 4 hours/8 hours. LED driver: separate, plugs into power outlet.

Finish

Brushed brass. Black or White, powder coated.

Materials

Base: Die cast aluminium. Shade: Spun aluminium. Stem: Brushed brass.

Sizes and weights

Width x Height x Length (mm) | 135 x 1200 x 250 Max 4.2 kg

Class

Ingress protection IP20. Electric shock protection II w/o ground.

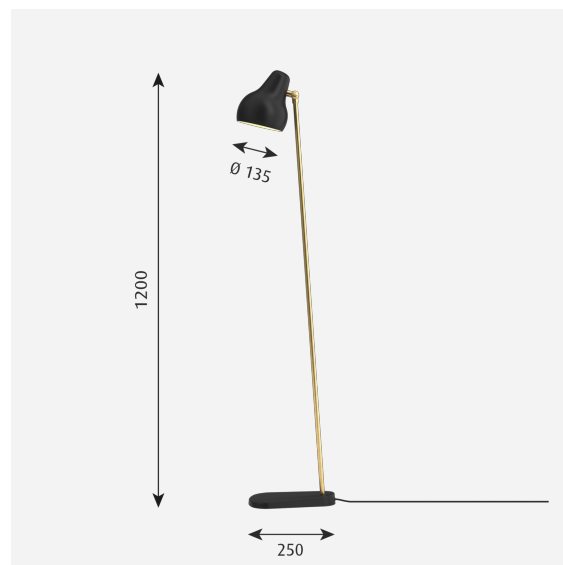
Light source

LED 2700K 9.6W

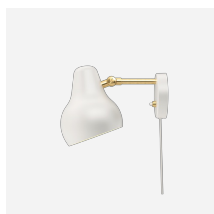
Lumen: 416

Information

Please note that the brass surfaces are untreated. This means that the surface will change over time and develop a patina. Function to set a fixed light level each time the lamp is connected to main power. LED driver fitted externally on cord. Two light levels 50% or 100%. Timer function to automatically turn off the light after amount of time, selectable between off/4 hours/8 hours. Adjustable (up and down) lamp shade. For LED replacement kit please contact Louis Poulsen. The innovation of the LED technology is constant. The specifications mentioned are based on present technology.



Product family



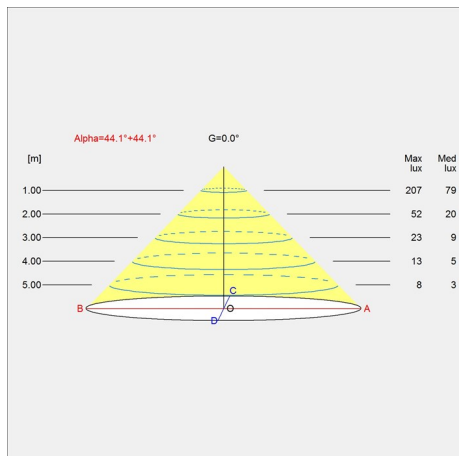
VL38 Wall



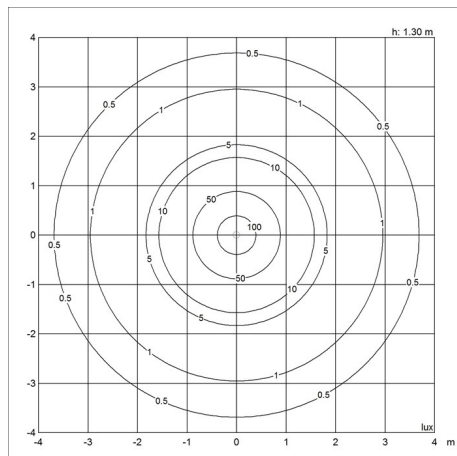
VL38 Table

Light distribution diagrams

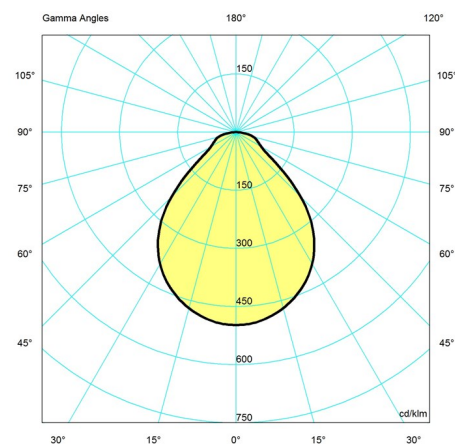
Cartesian



Isolux



Polar



Spare parts & accessories

Product	Variant number
Adaptor 12V black	5744164867
Adaptor 12V white	5744164870

Data specifications

Colour	Black	Length	250
Width	135	Height	1200
Built-in Height	-	IP class	20
Class	II	Net Weight	4.2
Standby (W)	-	Power Factor (P = 100 % / P = 50 %)	0.52/0.45
Inrush Current	-	Light source	LED 2700K 9.6W
Kelvin	2700	CRI	90
SDCM	3	Lumen	416

VL38 Floor

Watt	9.6
Light control	-
UGR Transversal / Axial	21.8/21.8
Driver life	-

Efficacy	43
Min. Dim Level (%)	50
L80B50 (hours)	>100.000