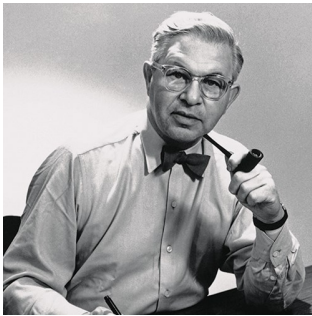


AJ Floor

AJ Floor - 5744169749

The fixture emits downward directed light. The angle of the shade can be adjusted to optimize light distribution. The shade is painted white on the inside to ensure a soft comfortable light.



Arne Jacobsen

Arne Jacobsen was born and raised in Copenhagen. In 1927, he graduated as an architect from the Royal Danish Academy of Fine Arts in Copenhagen. After graduating, he obtained his first job at the office of the City Architect of Copenhagen launching his own office only two years later.



Carl Hansen & Son Showroom



Sparekassen Vendsyssel

Product info

Information

The white version is supplied with a white cable. The other versions are supplied with a black cable.

Mounting

Cable type: Plastic cord with plug. Cable length: 2.4m. Light control: On/Off switch on cord.

Finish

Stainless Steel, polished. White, Black, Aubergine, Dark Green, Dark Grey, Light Grey, Midnight Blue, Pale Petroleum, Rusty Red, Yellow Ochre, wet painted.

Materials

Shade: Spun steel or stainless steel. Base: Die cast zinc or stainless steel. Stem: Steel or stainless steel.

Class

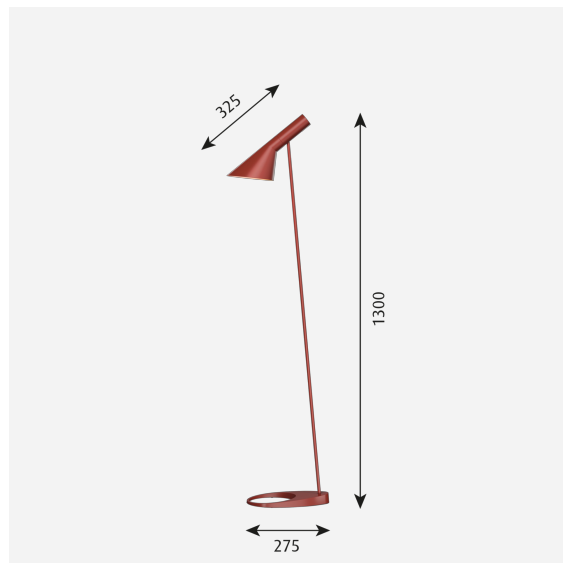
Ingress protection IP20. Electric shock protection II.

Light source

1x20W E27-cbr />Max. diameter: 55 mm

Information

The white version is supplied with a white cable. The other versions are supplied with a black cable.



Product family



AJ Table



AJ Wall



AJ 50 Wall



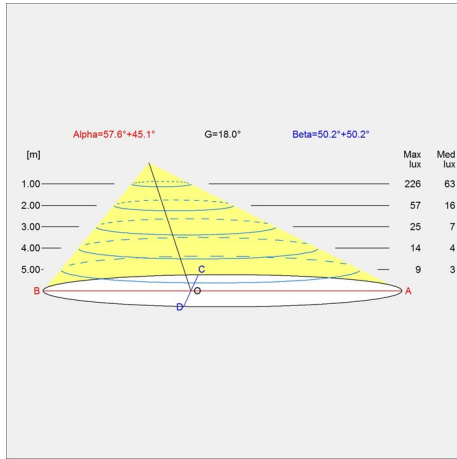
AJ Mini Table



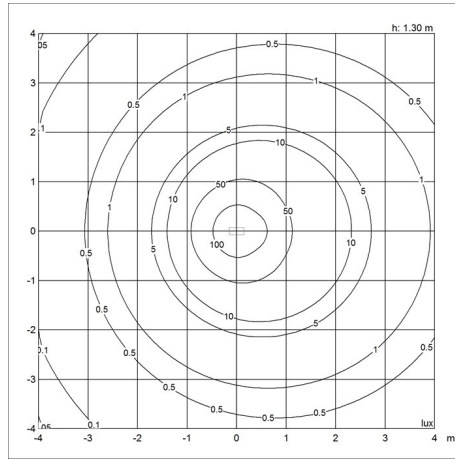
AJ Royal

Light distribution diagrams

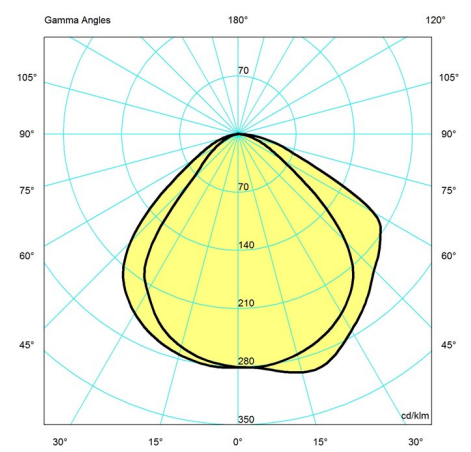
Cartesian



Isolux



Polar



Spare parts & accessories

| Product | Variant number |
|--------------------------|----------------|
| Foot switch On/Off black | 5717000000 |
| Foot switch On/Off white | 5717000013 |

Data specifications

| | | | |
|-----------------|------------------|-------------------------------------|------------------|
| Colour | Rusty red | Length | - |
| Width | 275 | Height | 1300 |
| Built-in Height | - | IP class | 20 |
| Class | II | Net Weight | 3.4 |
| Standby (W) | - | Power Factor (P = 100 % / P = 50 %) | - |
| Inrush Current | - | Light source | 1x20W E27 |
| Kelvin | - | CRI | - |
| SDCM | - | Lumen | - |

AJ Floor

| | |
|-------------------------|------------------|
| Watt | - |
| Light control | - |
| UGR Transversal / Axial | 21.9/16.4 |
| Driver life | - |

| | |
|--------------------|---|
| Efficacy | - |
| Min. Dim Level (%) | - |
| L80B50 (hours) | - |