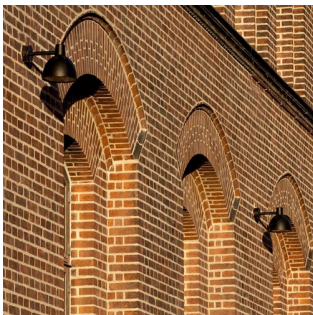


# Toldbod 220/290 Wall

Toldbod 220/290 Wall - 5743160752

The light is directed 100% downwards and the shade has a matt white painted interior emitting a soft, diffused, comfortable light. The fixture fulfills full cut-off criteria.



**Rysenstein  
Gymnasium**



**Henne Mølle Å Badehotel**

## Product info

### Environmental Product Specification

This product is compliant with the requirements contained in the European Directives, RoHS Directive 2011/65 and 2015/863. This product is designed so that 100% of the product can be disassembled and reused.

### Information

The wall box and arm are painted in the same colour as the fixture head. An LED upgrade kit is available for Toldbod Ø290. Please find more information under the section LED Upgrade Kit on our website. The innovation of the LED technology is constant. The specifications mentioned are based on present technology.

### Mounting

Terminal block: 1x3x2.5mm<sup>2</sup>, LED: 1x5x2,5mm<sup>2</sup>. Cable entries: Ø 290: 2x rear entries and 2x bottom entries to Ø 10- 14,5mm cable. Ø 220: 3x rear entries and 2x knock outs in bottom to Ø 10-14,5mm cable. Looping: Approved, max. 3x1,5mm<sup>2</sup>.

### Finish

Aluminium coloured with textured surface or black with textured surface, powder coated.

### Materials

Fixture head: Die cast aluminium. Shield: Injection moulded clear polycarbonate. Wall box: Die cast aluminium. Arm: Extruded aluminium.

### Sizes and weights

Width x Height x Length (mm) | 220 x 255 x 345 Max 2.8 kg | 290 x 300 x 445 Max 6.7 kg

### Class

Ingress protection, Ø 220: IP43, IK09. Ø 290: IP44, LED: IP44, IK08. Electric shock protection I w. ground.

### Specification notes

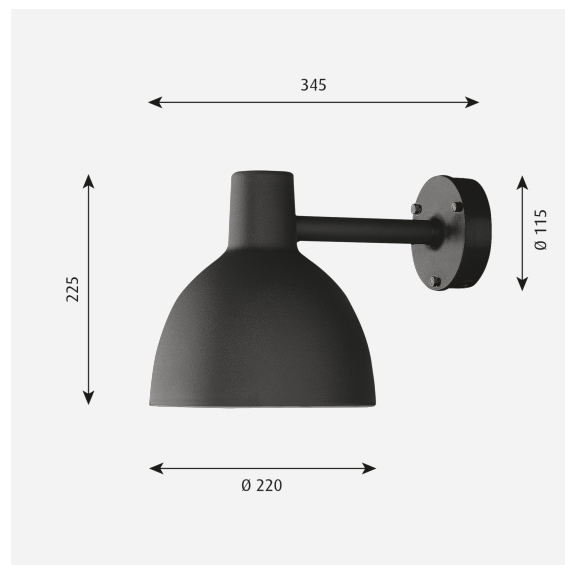
Toldbod Ø220 is only available in 100W E27. Ø290 is only available for 27W LED, 1x26/32/42W TC-TEL and vap. lamps 13140 (50W HSE-I, 70W HSE-I, 150W E27.) The innovation of light sources is ongoing. Consequently we only inform about the max. wattages. On [www.louispoulsen.com](http://www.louispoulsen.com) we update a list of recommendable light sources.

### Light source

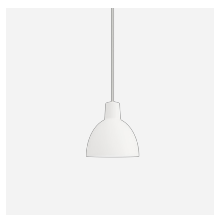
1x100W E27

### Information

The wall box and arm are painted in the same colour as the fixture head. An LED upgrade kit is available for Toldbod Ø290. Please find more information under the section LED Upgrade Kit on our website. The innovation of the LED technology is constant. The specifications mentioned are based on present technology.



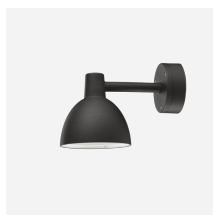
## Product family



Toldbod Pendant



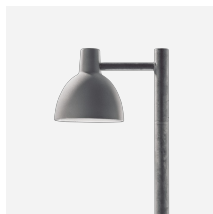
Toldbod 155/220 Glass Pendant



Toldbod 155 Wall



Toldbod 155 Bollard



Toldbod 290 Post

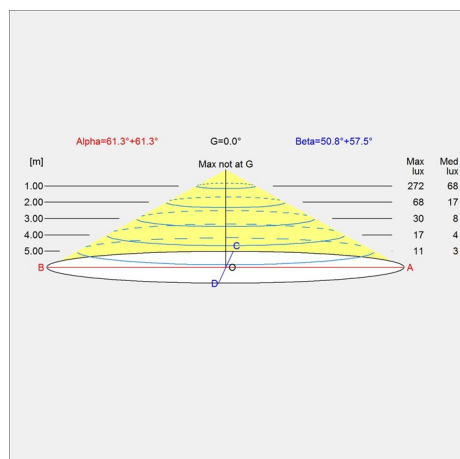


Toldbod 290 LED Upgrade Kit

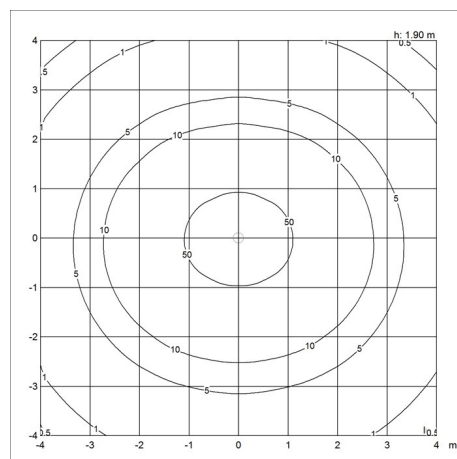


# Light distribution diagrams

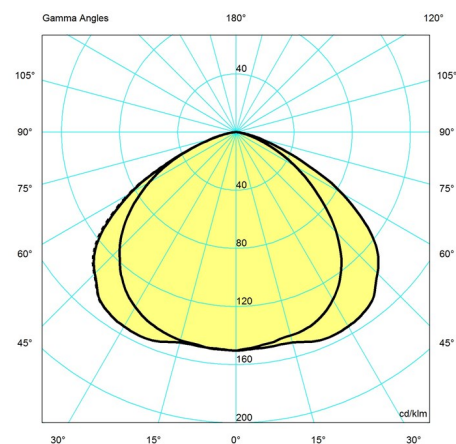
## Cartesian



## Isolux



## Polar



## Spare parts & accessories

### Product

Toldbod 290 diffuser  
Toldbod 220 Wall diffuser

### Variant number

5747305050  
5743590487

## Data specifications

Colour	<b>Black texture</b>	Length	<b>345</b>
Width	<b>220</b>	Height	<b>255</b>
IP class	<b>43</b>	IK class	<b>09</b>
Class	<b>I</b>	Net Weight	<b>2.3</b>
Wind Load (m2)	-	Standby (W)	-
Power Factor (P = 100 % / P = 50 %)	-	Inrush Current	-
Light source	<b>1x100W E27</b>	Kelvin	-
CRI	-	SDCM	-

**Toldbod 220/290 Wall**

Lumen	-
Efficacy	-
Min. Dim Level (%)	-
BUG Rating	<b>B1 U0 G0</b>
Driver life	-

Watt	-
Light control	-
Surge Protection	-
L80B50 (hours)	-