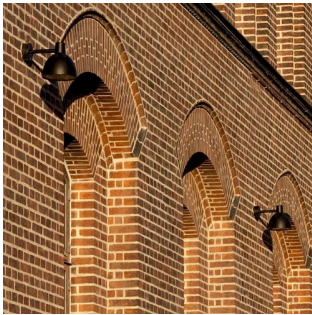


Toldbod 220/290 Wall

Toldbod 220/290 Wall - 5743160529

The light is directed 100% downwards and the shade has a matt white painted interior emitting a soft, diffused, comfortable light. The fixture fulfills full cut-off criteria.



**Rysenstein
Gymnasium**



Henne Mølle Å Badehotel

Product info

Environmental Product Specification

This product is compliant with the requirements contained in the European Directives, RoHS Directive 2011/65 and 2015/863. This product is designed so that 100% of the product can be disassembled and reused.

Information

The wall box and arm are painted in the same colour as the fixture head. An LED upgrade kit is available for Toldbod Ø290. Please find more information under the section LED Upgrade Kit on our website. The innovation of the LED technology is constant. The specifications mentioned are based on present technology.

Mounting

Terminal block: 1x3x2.5mm², LED: 1x5x2,5mm². Cable entries: Ø 290: 2x rear entries and 2x bottom entries to Ø 10- 14,5mm cable. Ø 220: 3x rear entries and 2x knock outs in bottom to Ø 10-14,5mm cable. Looping: Approved, max. 3x1,5mm².

Finish

Aluminium coloured with textured surface or black with textured surface, powder coated.

Materials

Fixture head: Die cast aluminium. Shield: Injection moulded clear polycarbonate. Wall box: Die cast aluminium. Arm: Extruded aluminium.

Sizes and weights

Width x Height x Length (mm) | 220 x 255 x 345 Max 2.8 kg | 290 x 300 x 445 Max 6.7 kg

Class

Ingress protection, Ø 220: IP43, IK09. Ø 290: IP44, LED: IP44, IK08. Electric shock protection I w. ground.

Specification notes

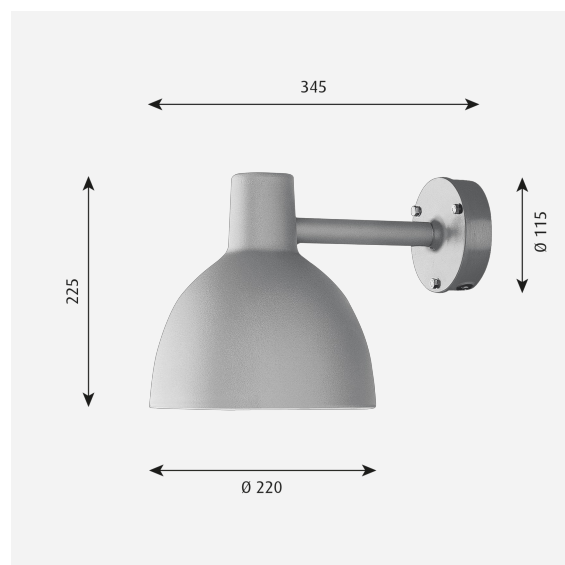
Toldbod Ø220 is only available in 100W E27. Ø290 is only available for 27W LED, 1x26/32/42W TC-TEL and vap. lamps 13140 (50W HSE-I, 70W HSE-I, 150W E27.) The innovation of light sources is ongoing. Consequently we only inform about the max. wattages. On www.louispoulsen.com we update a list of recommendable light sources.

Light source

1x100W E27

Information

The wall box and arm are painted in the same colour as the fixture head. An LED upgrade kit is available for Toldbod Ø290. Please find more information under the section LED Upgrade Kit on our website. The innovation of the LED technology is constant. The specifications mentioned are based on present technology.



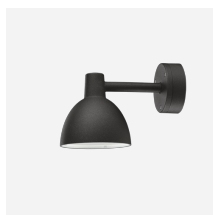
Product family



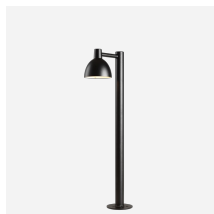
Toldbod Pendant



Toldbod 155/220 Glass Pendant



Toldbod 155 Wall



Toldbod 155 Bollard



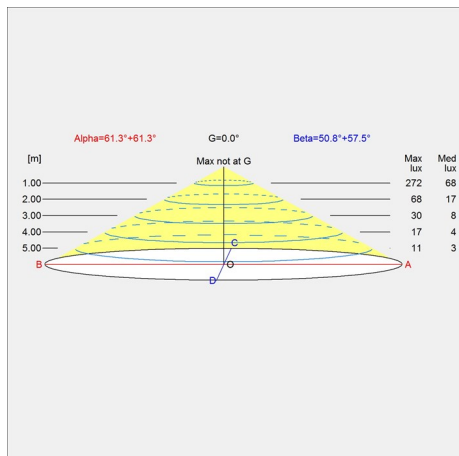
Toldbod 290 Post



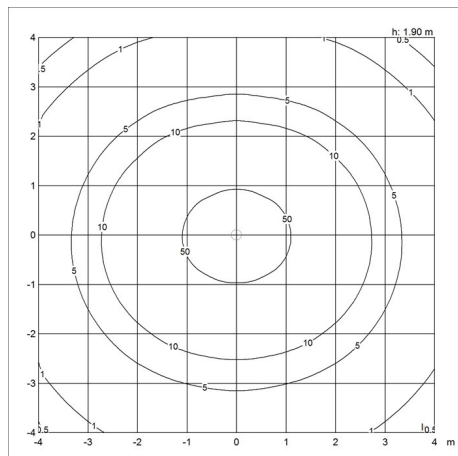
Toldbod 290 LED Upgrade Kit

Light distribution diagrams

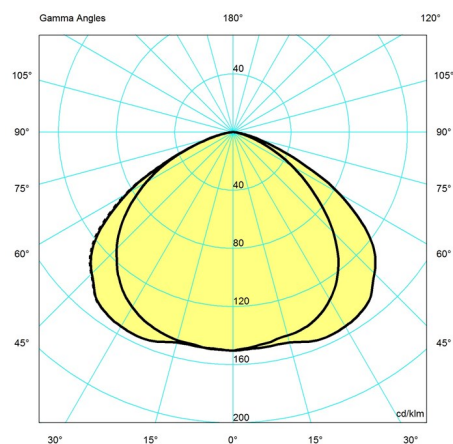
Cartesian



Isolux



Polar



Spare parts & accessories

Product

Toldbod 290 diffuser
Toldbod 220 Wall diffuser

Variant number

5747305050
5743590487

Data specifications

Colour	Aluminium colour texture	Length	345
Width	220	Height	255
IP class	43	IK class	09
Class	I	Net Weight	2.3
Wind Load (m2)	-	Standby (W)	-
Power Factor (P = 100 % / P = 50 %)	-	Inrush Current	-
Light source	1x100W E27	Kelvin	-
CRI	-	SDCM	-

Toldbod 220/290 Wall

Lumen	-
Efficacy	-
Min. Dim Level (%)	-
BUG Rating	B1 U0 G0
Driver life	-

Watt	-
Light control	-
Surge Protection	-
L80B50 (hours)	-