

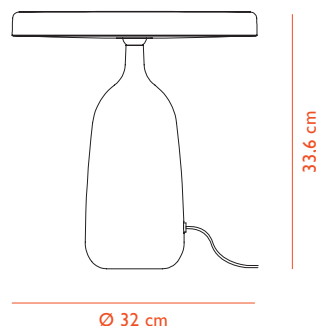
EDDY

EU Version



normann
COPENHAGEN

Eddy Table Lamp - EU Version



DESCRIPTION

The table lamp Eddy is an art of proportions: an airy shade floats above a weighty, organic base, creating a design in balance and motion. The table lamp emits a soft light, which can be adjusted with the circular brass dimmer that forms a refined detail on the lampshade's top.

DESIGN

Simon Legald, 2018

MATERIAL

Pressed Steel / Marble

CONSTRUCTION

The table lamp consists of a steel screen with a permanently integrated energy-efficient LED light source with dispersion lens, which balances on a lamp base made of hand turned Italian marble. Lampshade and base meet in a rotation point: a brass ball, which the shade can be tipped around to control the direction of the light. Brass dimmer on top of the lampshade.

MAINTENANCE

Clean with damp cloth. Avoid use of all-purpose cleaners and other degreasing detergents.

CORD

2 m textile cord (white-white cord / grey-black cord / black-black cord).

DIMMABLE FUNCTION

Yes, 4-steps touch dimmer.

VOLTAGE
220-240V

MAX LOAD
18 W

FREQUENCY
50/60 Hz

IP RATING
IP20

CLASSIFICATION
Class III

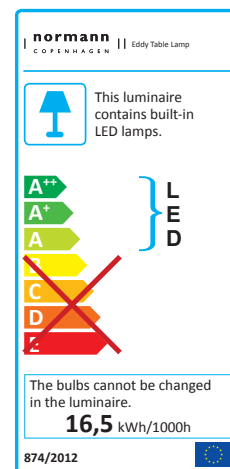
LIGHT SOURCE - INCLUDED

LED included: SMD2835
Power: 16,5 W
CCT: 3 000 K
Output: 1 155 lm
Lifetime: 30 000 h
CRI: ~ 80

LED DRIVER
PRI: 100-240 V - 50/60 Hz
SEC: DC24V 750 mA
Load: 18 W (Max)

GENERAL STANDARD & CERTIFICATES

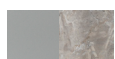
EN 60598-2-4: 1997
EN 60598-1: 2015
EN 62031:2008+A1:2013+A2:2015 EN 62471:2008
EN 61058-1:2018
EN 62493:2015



COLOR



White /
White
Marble



Grey /
Grey
Marble



Black /
Black
Marble

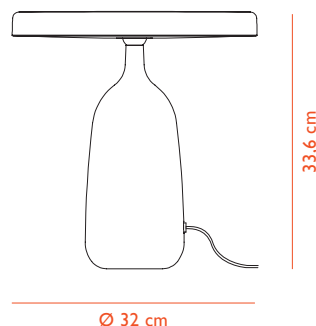
EDDY

US Version



normann
COPENHAGEN

Eddy Table Lamp - US Version



DESCRIPTION

The table lamp Eddy is an art of proportions: an airy shade floats above a weighty, organic base, creating a design in balance and motion. The table lamp emits a soft light, which can be adjusted with the circular brass dimmer that forms a refined detail on the lampshade's top.

DESIGN

Simon Legald, 2018

MATERIAL

Pressed Steel / Marble

CONSTRUCTION

The table lamp consists of a steel screen with a permanently integrated energy-efficient LED light source with dispersion lens, which balances on a lamp base made of hand turned Italian marble. Lampshade and base meet in a rotation point: a brass ball, which the shade can be tipped around to control the direction of the light. Brass dimmer on top of the lampshade.

MAINTENANCE

Clean with damp cloth. Avoid use of all-purpose cleaners and other degreasing detergents.

CORD

2 m textile cord (white-white cord / grey-black cord / black-black cord).

DIMMABLE FUNCTION

Yes, 4-steps touch dimmer.

VOLTAGE

120 V

MAX LOAD

60 W

FREQUENCY

18 Hz

IP RATING

IP20

CLASSIFICATION

Class III

LIGHT SOURCE - INCLUDED

LED included: SMD2835

Power: 16,5 W

CCT: 3 000 K

Output: 1 155 lm

Lifetime: 30 000 h

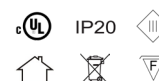
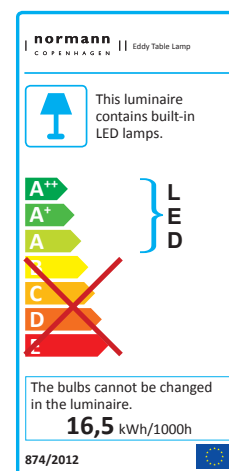
CRI: ~ 80

LED DRIVER

PRI: 100-240 V - 50/60 Hz

SEC: DC24 V 750 mA

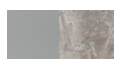
Load: 18 W (Max)



COLOR



White /
White
Marble



Grey /
Grey
Marble



Black /
Black
Marble