

# Toldbod Pendant

Toldbod Pendant - 5741101580

The pendant emits soft downwards directed light. The matt, white-painted inside of the elliptical shade helps to assure even distribution of the light.



**Original Coffee,  
Copenhagen**



## Product info

### Environmental Product Specification

This product is compliant with the requirements contained in the European Directives, RoHS Directive 2011/65 and 2015/863. This product is designed so that 100% of the product can be disassembled and reused.

### Mounting

Suspension type: Cable 2x0,75mm<sup>2</sup> . Ø400/Ø550: Cable and wire. Cable length: 3m. (Ø120/Ø170). 4m. (Ø250/Ø400/Ø550). Canopy: Yes. Black and white cords.

### Finish

Ø120/Ø170/Ø250: Black, White, Dark Rose, Light Grey or Blue-Grey. Matt powder coated. Ø400/Ø550: Black or White. Matt powder coated.

### Materials

Shade: Spun aluminium. Ø120 reflector: Spun white matt coated aluminium. Ø400/Ø550 diffuser: Matt acrylic

### Sizes and weights

Width x Height x Length (mm) | 120 x 121 x 120 Max 0.7 kg | 170 x 173 x 170 Max 1.0 kg | 250 x 254 x 250 Max 1.4 kg | 400 x 406 x 400 Max 3.4 kg | 550 x 558 x 550 Max 5.6 kg

### Class

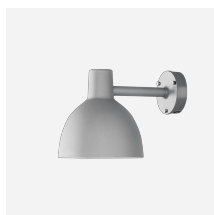
Ingress protection IP20. Electric shock protection II w/o ground.

### Light source

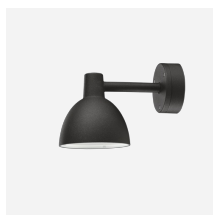
1x100W E27



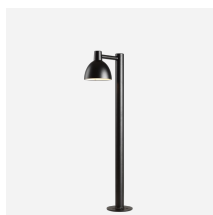
## Product family



Toldbod 220/290 Wall



Toldbod 155 Wall



Toldbod 155 Bollard



Toldbod 290 Post



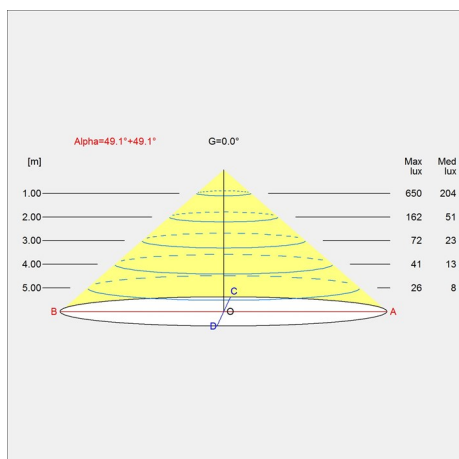
Toldbod 290 LED Upgrade Kit



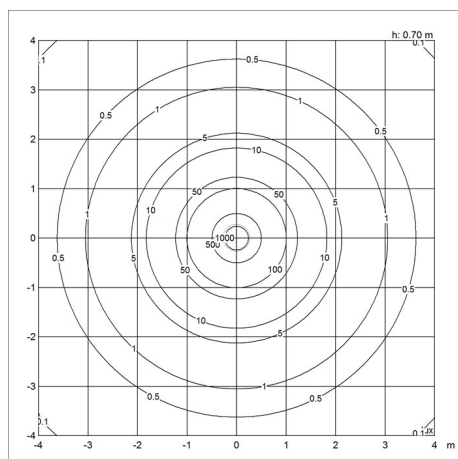
Toldbod 155/220 Glass  
Pendant

# Light distribution diagrams

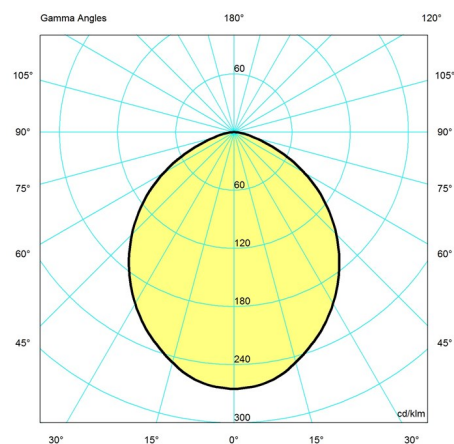
## Cartesian



## Isolux



## Polar



## Spare parts & accessories

### Product

Canopy White 2-part tophat ©  
Canopy Black 2-part tophat©

### Variant number

5749329034  
5749329021

## Data specifications

Colour	White	Length	550
Width	550	Height	558
Built-in Height	-	IP class	20
Class	II	Net Weight	5.6
Standby (W)	-	Power Factor (P = 100 % / P = 50 %)	-
Inrush Current	-	Light source	1x100W E27
Kelvin	-	CRI	-
SDCM	-	Lumen	-

**Toldbod Pendant**

Watt	-
Light control	-
UGR Transversal / Axial	<b>16.9/16.9</b>
Driver life	-

Efficacy	-
Min. Dim Level (%)	-
L80B50 (hours)	-