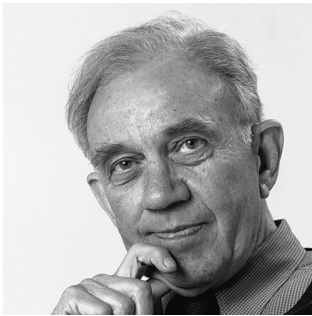


Wohlert

Wohlert - 5741086977

The fixture provides uniform, general and diffused illumination. The opening at the bottom of the glass produces downwards directed light. The quality of the glass ensures that the fixture is evenly lit.



Vilhelm Wohlert

Vilhelm Wohlert (1920-2007) graduated as an architect from The Royal Danish Academy of Fine Arts in Copenhagen in 1944. During his career, he held the position of professor at The Royal Danish Academy of Fine Arts in Copenhagen from 1968 until 1986, was an Honorary Member of the same institution, where he was also Deputy CEO in the period 1968-71.



Product info

Mounting

Suspension type E27: Cable 3x0,75mm². Canopy: Yes. Cable length: 3m. Suspension type LED: Cable 2x1,5mm². Canopy: Yes. LED canopy contains driver. Cable length: 4m.

Finish

Matt white opal glass.

Materials

Shade: Mouth-blown matt white opal glass. Pendant tube: Brushed steel.

Sizes and weights

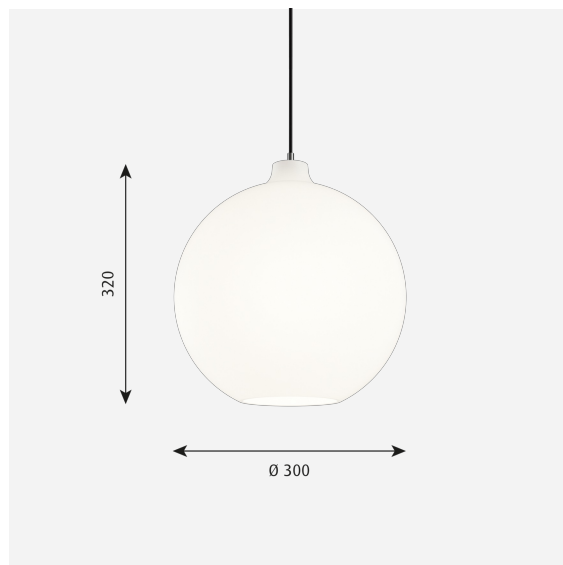
Width x Height x Length (mm) | 350 x 370 x 350 Max 4.8 kg | 300 x 320 x 300 Max 2.9 kg | 400 x 420 x 400 Max 4.8 kg

Class

Ingress protection IP20. Electric shock protection I w. ground.

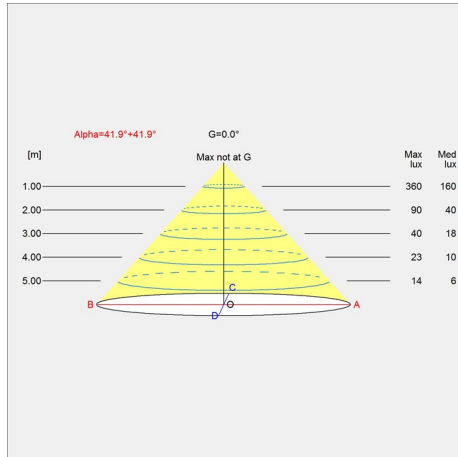
Light source

1x70W E27

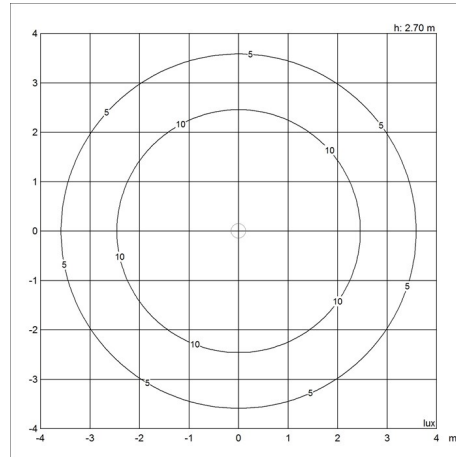


Light distribution diagrams

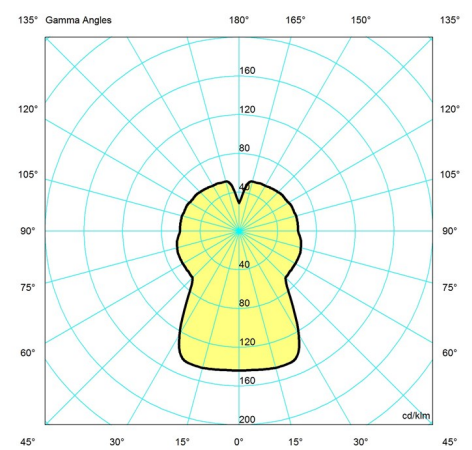
Cartesian



Isolux



Polar



Spare parts & accessories

Product

Canopy White 2-part tophat ©
 Wohlerlert Ø300 Pendant glass
 Wohlerlert Ø350 Pendant glass
 Wohlerlert Ø400 Pendant glass
 WOHLERT PENDANT SUSP 70W E27

Variant number

5749329034
 5741480382
 5741480395
 5741480405
 5741086935

Data specifications

Colour	White opal glass	Length	300
Width	300	Height	320
Built-in Height	-	IP class	20
Class	I	Net Weight	2.9
Standby (W)	-	Power Factor (P = 100 % / P = 50 %)	-
Inrush Current	-	Light source	1x70W E27

Wohlert

Kelvin	-
SDCM	-
Watt	-
Light control	-
UGR Transversal / Axial	8.6/8.6
Driver life	-

CRI	-
Lumen	-
Efficacy	-
Min. Dim Level (%)	-
L80B50 (hours)	-