

Enigma 545

Enigma 545 - 5741088742

The fixture emits glare-free, soft, comfortable downward light. The shade design ensures even illumination of the surface. The matt upper surface diffuses the light, while the glossy lower surface ensures optimal reflection.



Shoichi Uchiyama

Shoichi Uchiyama was born and bred in Tokyo. Since the foundation of Shoichi Uchiyama Design Office in 1977, he has been committed to creation of lighting fixtures with glare-free indirect light that make objects beautiful, and allow people to feel the texture and depth of objects.



Sinatur Hotel



RealDania

Product info

Mounting

Suspension type: Cable 2x0,75mm². Canopy: Yes. Cable length: 3m

Finish

Brushed aluminium, clear coated or black wet painted. Shades: White or black acrylic.

Materials

Cone and pendant tube: Lacquered or wet painted brushed aluminium. Wire: Stainless steel. Shades: Acrylic.

Sizes and weights

Width x Height x Length (mm) | 545 x 970 x 545 Max 2.1 kg

Class

Ingress protection IP20. Electric shock protection II w/o ground.

Light source

1x40W GU10

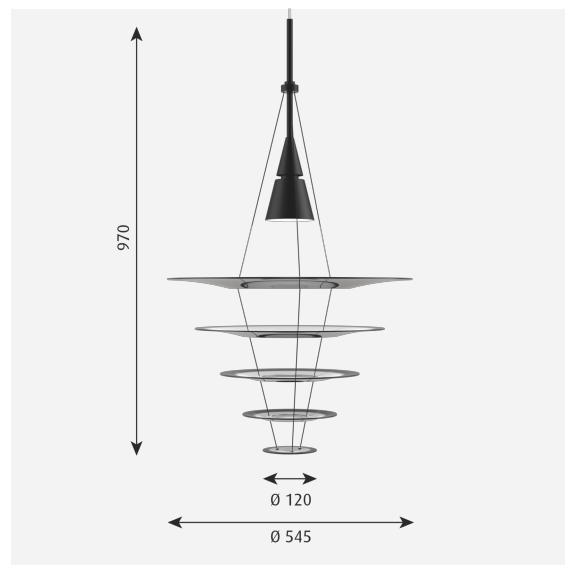
Product family



Enigma 425

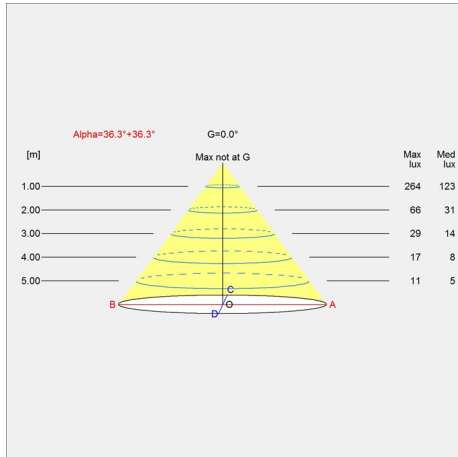


Enigma 825

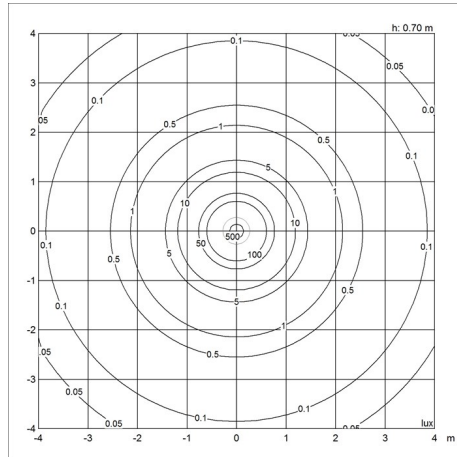


Light distribution diagrams

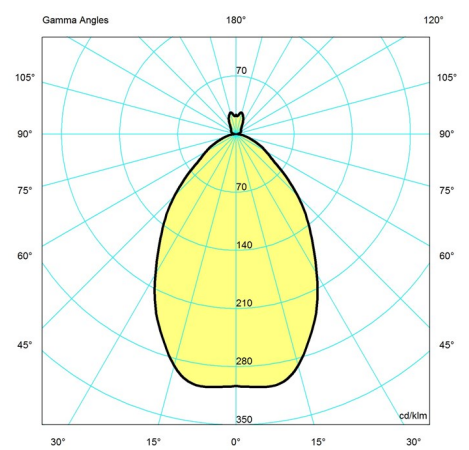
Cartesian



Isolux



Polar



Spare parts & accessories

Product

Variant number

Canopy White 2-part tophat ©	5749329034
Canopy Black 2-part tophat©	5749329021
Enigma Pendant shade Ø120 w/bush. white	5741086786
Enigma Pendant shade Ø210 white	5741086799
Enigma Pendant shade Ø310 white	5741086809
Enigma Pendant shade Ø422 white	5741086812
Enigma Pendant shade Ø545 white	5741087099
Enigma Pendant shade Ø120 w/bush. black	5741088878
Enigma Pendant shade Ø210 black	5741088881
Enigma Pendant shade Ø310 black	5741088894
Enigma Pendant shade Ø422 black	5741088904
Enigma Pendant shade Ø545 black	5741088917
Enigma Ø545 susp 3M cable w/socket black	5741088807
Enigma Ø545 susp 3M cable w/socket alu	5741088810

Data specifications

Colour	Black	Length	545
Width	545	Height	970

Enigma 545

Built-in Height	-	IP class	20
Class	II	Net Weight	2.1
Standby (W)	-	Power Factor (P = 100 % / P = 50 %)	-
Inrush Current	-	Light source	1x40W GU10
Kelvin	-	CRI	-
SDCM	-	Lumen	-
Watt	-	Efficacy	-
Light control	-	Min. Dim Level (%)	-
UGR Transversal / Axial	6.0/6.0	L80B50 (hours)	-
Driver life	-		