

Moser

Moser - 5741086278

The fixture emits diffused light and the thickness of the glass results in very comfortable light distribution.



Anu Moser

Born in 1945, Anu Moser is a Swedish ceramic artist and specialist in restoring ceramics – a skill she also teaches. Anu Moser has held exhibitions of her ceramic art all over the world.



**Sommerhus
Liseleje**



**Yokohama College of Dental Care and
Health Sciences**

Product info

Information

Ø 185 and Ø 205 use the same suspension.

Mounting

Suspension type: Cable 2x0,75mm². Canopy: Yes. Cable length: 3m.

Finish

Matt white opal glass.

Materials

Suspension: Polished aluminium. Shade: Mouth-blown matt white opal glass.

Sizes and weights

Width x Height x Length (mm) | 205 x 285 x 205 Max 1.2 kg | 185 x 255 x 185 Max 1.0 kg | 250 x 360 x 250 Max 1.6 kg

Class

Ingress protection IP20. Electric shock protection II w/o ground.

Light source

1x40W E27

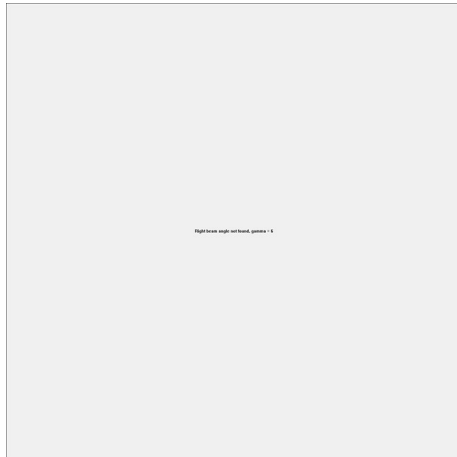
Information

Ø 185 and Ø 205 use the same suspension.

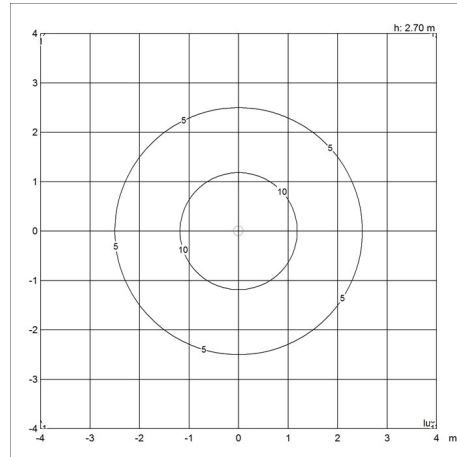


Light distribution diagrams

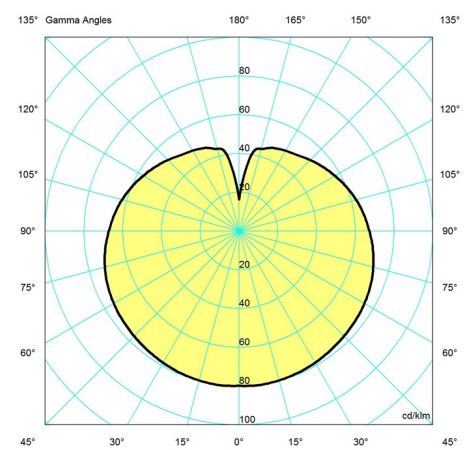
Cartesian



Isolux



Polar



Spare parts & accessories

Product

- Canopy Black 2-part tophat®
- Moser Ø185 spare glass matt opal
- Moser Ø205 glass matt opal
- Moser Ø250 glass matt opal
- Moser Pendant gaskets for glass(1 set)

Variant number

- 5749329021
- 5741086359
- 5741086388
- 5741086414
- 5741087714

Data specifications

Colour	Matt white opal glass	Length	205
Width	205	Height	285
Built-in Height	-	IP class	20
Class	II	Net Weight	1.2
Standby (W)	-	Power Factor (P = 100 % / P = 50 %)	-
Inrush Current	-	Light source	1x40W E27

Kelvin	-
SDCM	-
Watt	-
Light control	-
UGR Transversal / Axial	16.0/16.0
Driver life	-

CRI	-
Lumen	-
Efficacy	-
Min. Dim Level (%)	-
L80B50 (hours)	-