

PH 2/1 Pendant

PH 2/1 Pendant - 5741100125

The fixture is designed based on the principle of a reflective three-shade system, which directs the majority of the light downwards. The shades are made of mouth-blown opal three-layer glass, which is glossy on top and sandblasted matt on the underside, giving a soft and uniform light distribution.



Poul Henningsen

Poul Henningsen was born in Copenhagen by the famous Danish writer Agnes Henningsen. He never graduated as an architect, but studied at The Technical School at Frederiksberg, Denmark from 1911-14, and then at Technical College in Copenhagen from 1914-17.



Product info

Mounting

Suspension type: Cable 2x0,75mm². Canopy: Yes. Cable length: 3m.

Finish

Brass metallised, black metallised or high lustre chrome plated. White opal glass.

Materials

Shades: Mouth-blown white opal glass. Suspension: Brass metallised, black metallised or high lustre chrome plated, spun aluminium.

Sizes and weights

Width x Height x Length (mm) | 200 x 140 x 200 Max 0.7 kg

Class

Ingress protection IP20. Electric shock protection II w/o ground.

Specification notes

The innovation of light sources is ongoing. Consequently we only inform about the max. wattages. On www.louispoulsen.com we update a list of recommendable light sources.

Light source

1x20W E14



Product family



PH 2/1 Stem Fitting



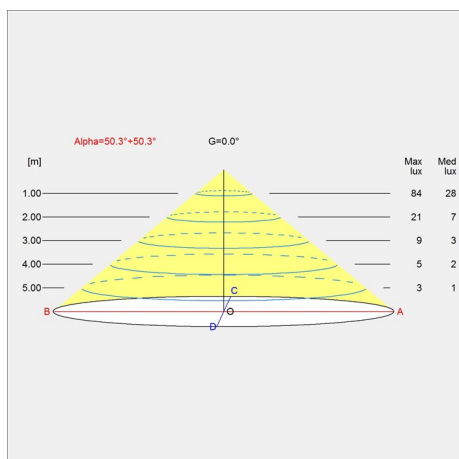
PH 2/1 Table



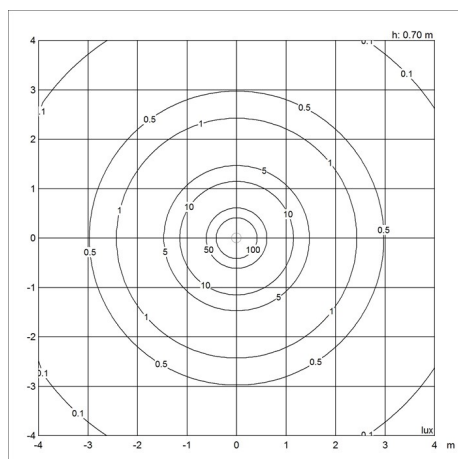
PH 2/1 Wall

Light distribution diagrams

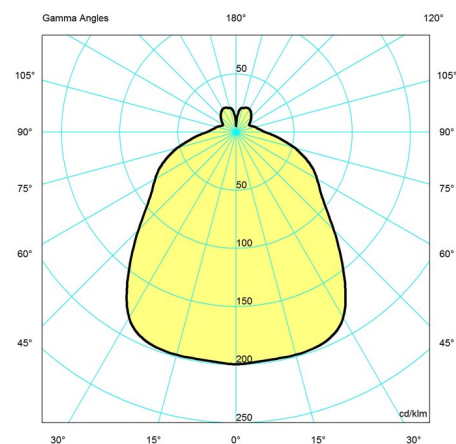
Cartesian



Isolux



Polar



Spare parts & accessories

Product	Variant number
Canopy White 2-part tophat ©	5749329034
PH 2-1, middle shade glass	5741084940
PH 2-1, lower shade glass	5741084953
PH 2-1, springholder w/springs	5741086333
Canopy Black 2-part tophat©	5749329021
PH 2-1, top shade glass Pendant	5741084898

Data specifications

Colour	Brass metallised	Length	200
Width	200	Height	140
Built-in Height	-	IP class	20
Class	II	Net Weight	0.6
Standby (W)	-	Power Factor (P = 100 % / P = 50 %)	-
Inrush Current	-	Light source	1x20W E14

PH 2/1 Pendant

Kelvin	-
SDCM	-
Watt	-
Light control	-
UGR Transversal / Axial	16.9/16.9
Driver life	-

CRI	-
Lumen	-
Efficacy	-
Min. Dim Level (%)	-
L80B50 (hours)	-