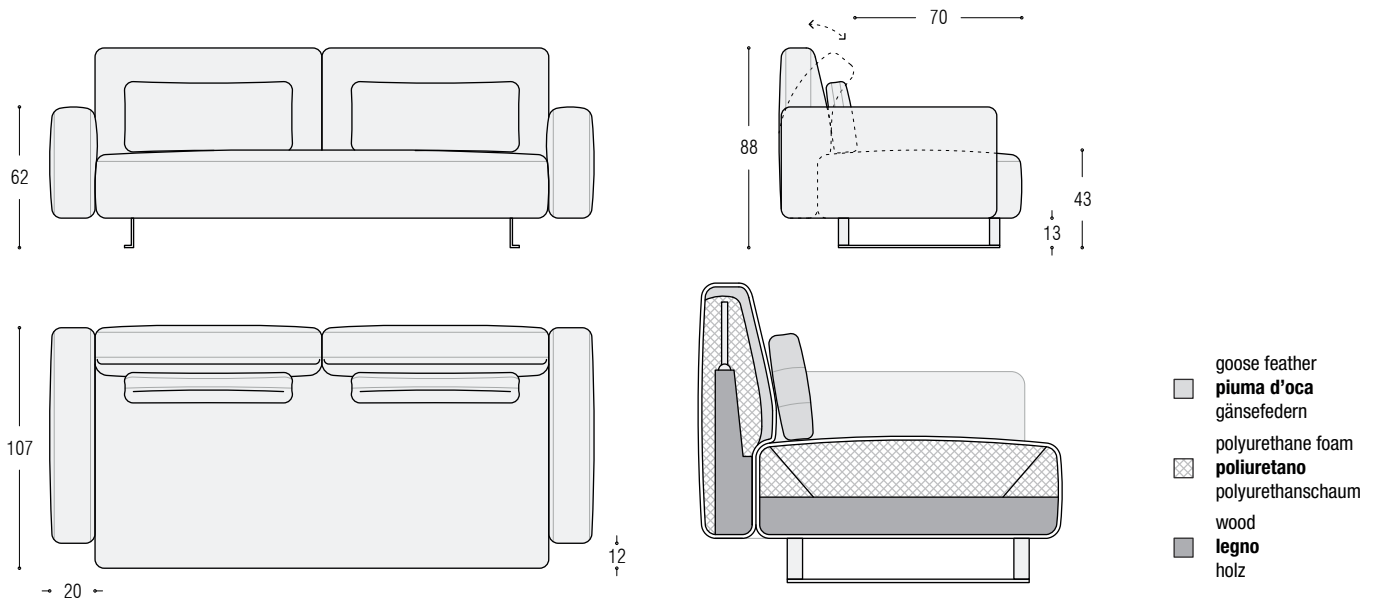


Island



TECHNICAL FEATURE

Structure: in solid wood and multi-ply wood. Armrests padded with polyurethane foam and covered with a white fabric joined with resin. Suspension with reinforced elastic belts. Backrest with reclining mechanism.

Padding: seat cushions are integral part of the structure and are made in non-deformable polyurethane foam of various densities. Back cushions in polyurethane foam, wrapped in sterilized goose feathers and polyurethane chips, divided into sections. Lumbar cushions in sterilized goose feathers, divided into sections.

Feet: U-shape base in burnished metal.

Covers: fabric version completely removable. Leather version non-removable. On request, seats, backrests, armrests and extra cushions are equipped with "Stripe" decorative profile (available colors Rope and Slate) without upcharge.

CARATTERISTICHE TECNICHE

Struttura: in legno di abete e multistrato. Braccioli imbottiti con poliuretano espanso e rivestiti da una fodera in vellutino bianco accoppiato a fibra di poliestere. Molleggio a cinghie elastiche rinforzate. Schienali dotati di meccanismo reclinabile.

Imbottiture: i cuscini di seduta sono integrati nella struttura e realizzati in poliuretano espanso indeformabile a densità differenziate. Cuscini di schienale in poliuretano espanso, rivestito in piuma d'oca sterilizzata e fiocco di poliuretano suddivisi in comparti. Poggiareni in piuma d'oca sterilizzata, suddivisa in comparti.

Piedini: slitte in metallo brunito.

Rivestimento: versione in tessuto completamente sfoderabile.

Versione in pelle non sfoderabile. A richiesta è possibile aggiungere a sedili, schienali, braccioli e cuscini d'arredo il profilo decorativo "Stripe" (disponibile nei colori Corda e Lavagna) senza supplemento.

TECHNISCHE DATEN

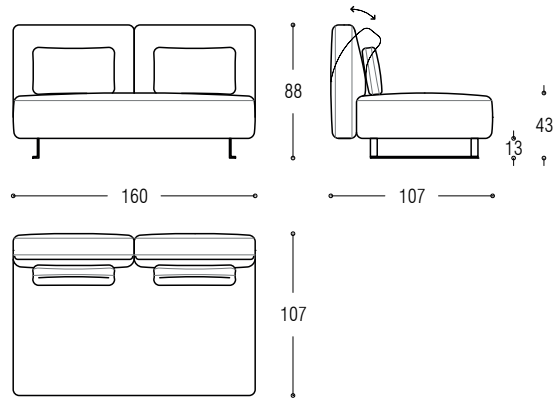
Struktur: Tannenholz und Schichtholz. Armlehne gepolstert mit Polyurethanschaum und bezug mit weißem Samt und Polyesterfasern. Unterfederung aus verstärkten elastischen Gurten. Rückenlehnen mit Verstellmechanismus.

Polsterung: Die Sitzkissen sind in die Struktur integriert und aus formstabilem Polyurethanschaum verschiedener Härtegrade. Rückenkissen aus Polyurethanschaum, komplettiert durch sterilisierte Gänsefedern und Polyurethan-Chips. Lendenkissen aus sterilisierten Gänsefedern, unterteilt in Kammern.

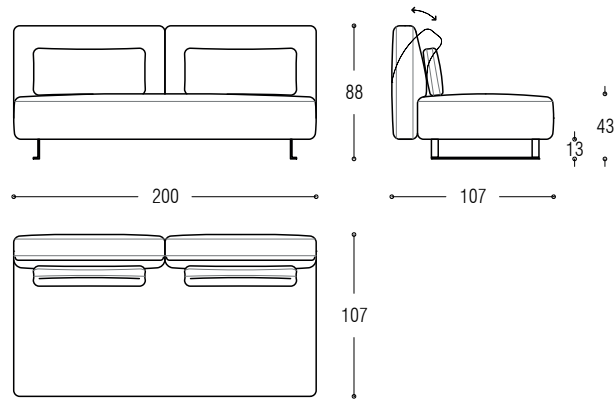
Füße: Kufengestell aus brüniertem Metall.

Bezug: Stoffversion komplett abziehbarer. Lederversion nicht abziehbarer. Auf Anfrage, werden Sitze, Rückenlehnen, Armlehnen und Zierkissen ohne Aufpreis mit dem dekorativen Profil „Stripe“ (lieferbare Farben Rope und Slate) ausgestattet.

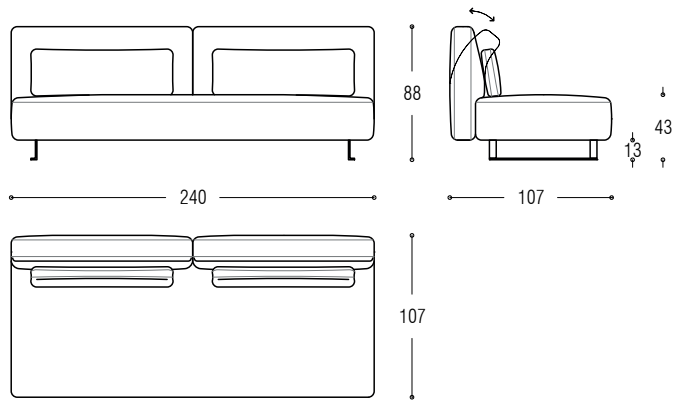
Central element cm 160 with reclining backrests



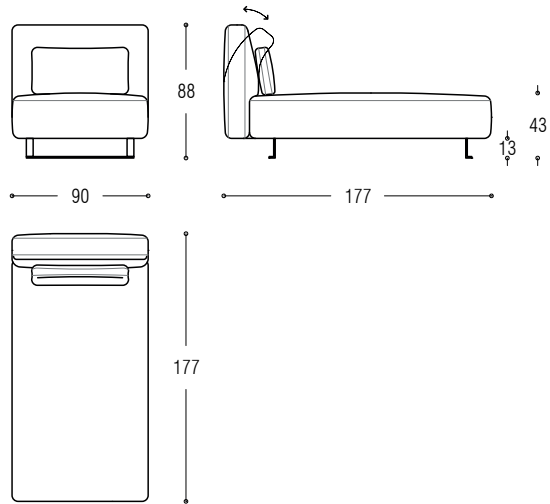
Central element cm 200 with reclining backrests



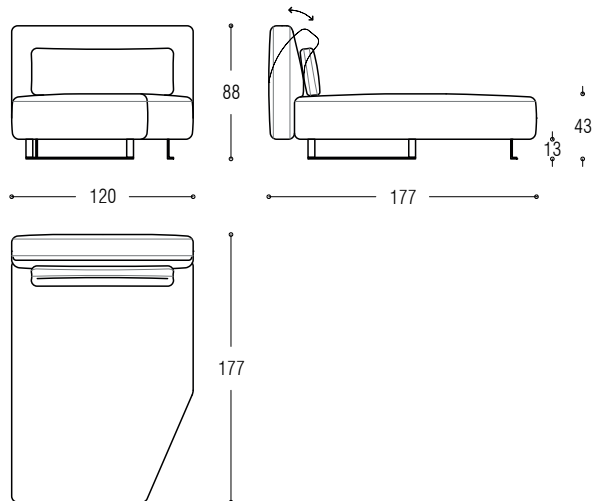
Central element cm 240 with reclining backrests



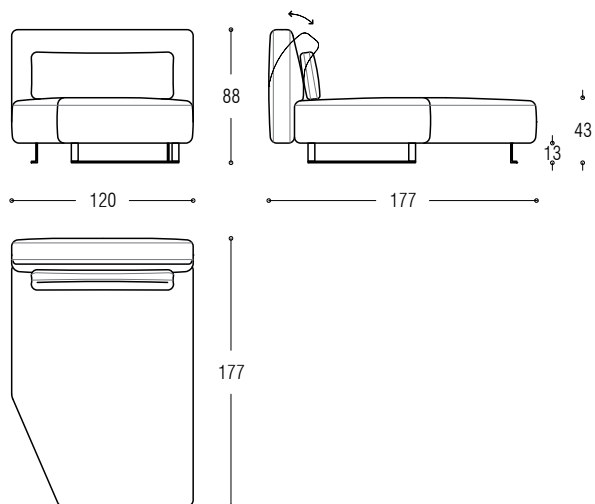
Chaise longue cm 177 with reclining backrests



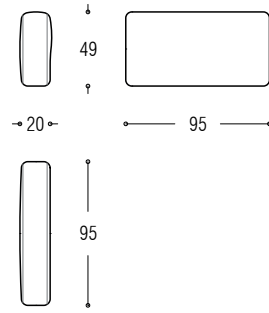
Pentagon cm 177 left with reclining backrests



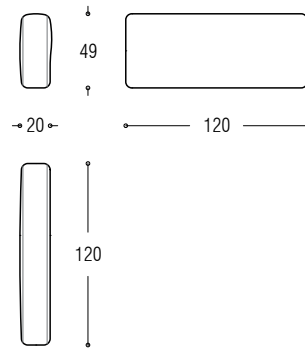
Pentagon cm 177 right with reclining backrests



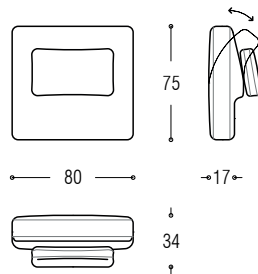
Armrest cm 95



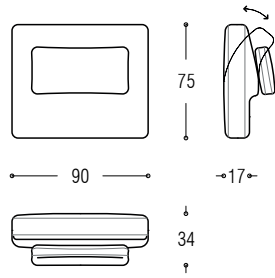
Armrest cm 120



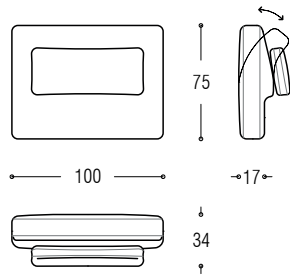
Reclining backrest cm 80



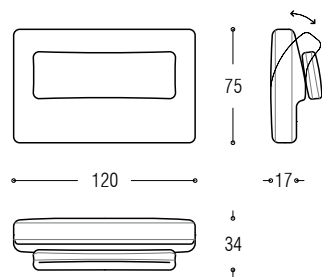
Reclining backrest cm 90



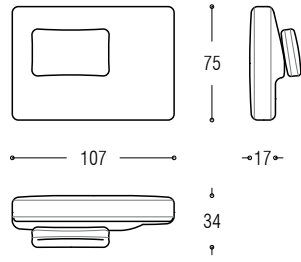
Reclining backrest cm 100



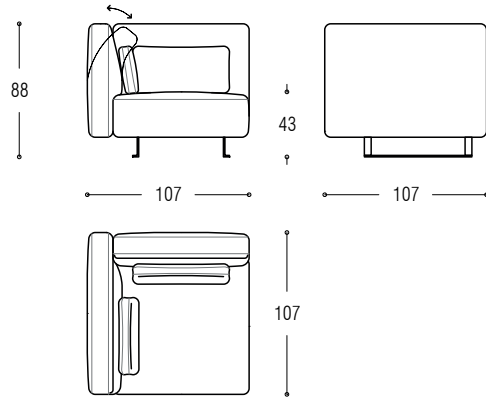
Reclining backrest cm 120



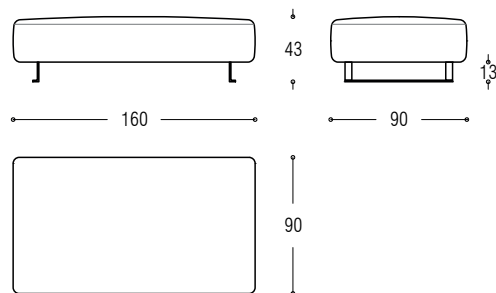
Fixed backrest for corner cm 107



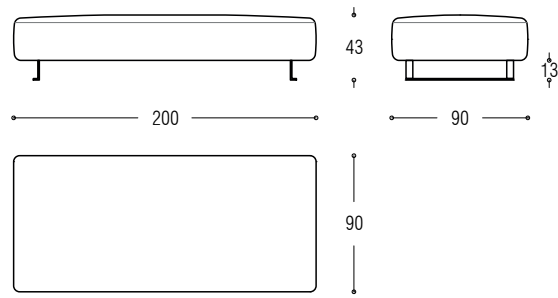
Corner element cm 107x107



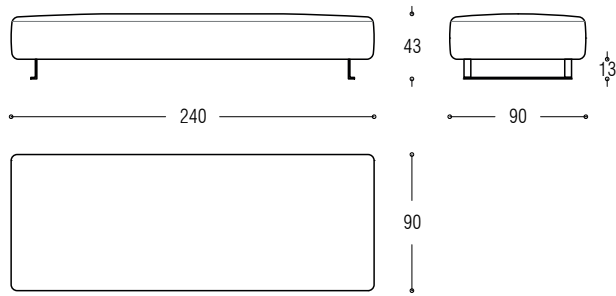
Seat cm 160x90



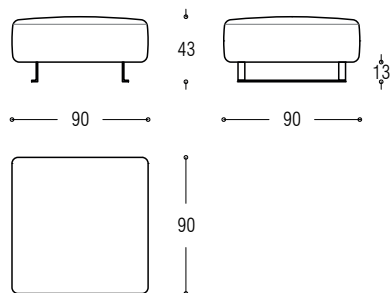
Seat cm 200x90



Seat cm 240x90



Pouf cm 90x90



Pouf cm 120x120

