

# NHINO STOOL

Design: Emilio Nanni

Beech wooden seat

0010 – H47



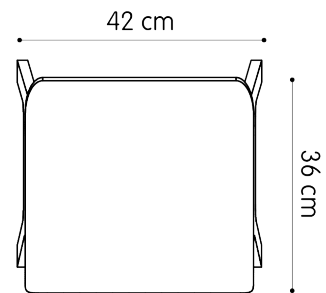
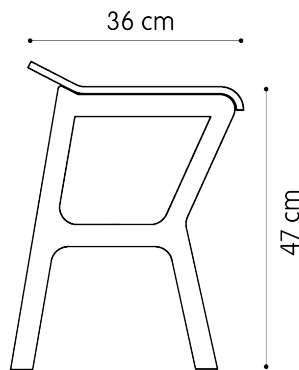
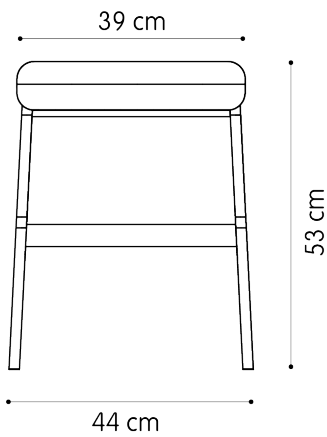
DIMENSION		FINISHING		PACKING	
Height	47	Base	Solid Beech	Height	50
Width	44	Seat	Beech Multilayer - Thickness 12 mm	Width	45
Depth	36			Depth	45
				Pieces for Pckg	1
				Gross Weight	5
				cu.m.	0,11

Beech with padded seat

0013 – H47 – IMB



DIMENSION		FINISHING		PACKING	
Height	47	Base	Solid Beech	Height	50
Width	44	Seat	MDF - Thickness 12 mm	Width	45
Depth	36	Padding Mat.	Foam Rubber - Thickness 1 cm	Depth	45
				Pieces for Pckg	1
				Gross Weight	5
				cu.m.	0,11
		Density	ELAST 65 Kg/cu.m. - Fireproof		



## FINISHINGS

**WOOD** Our standard lacquers have a matt finish; the relevant RAL and NCS codes can be found at the back of the Trabà catalogue in the KEEP COLOURS section. Colors are divided into two price categories referred to on the price list as LACQUERED BASIC and LACQUERED FASHION. For sample colors the cost it's the same of LACQUERED BASIC.

### LACQUERED BASIC

White RAL 9010  
Sand RAL 7044  
Black RAL 9011  
Tortora RAL 7006  
Grey RAL 7010  
Dark Brown RAL 8019  
Dark Green RAL 6003  
Oil Green RAL 6000  
Blue Sea RAL 6034  
Sage Green RAL 6013  
Powder S 1010Y90R

### LACQUERED FASHION

Bordeaux RAL 3004  
Red RAL 3013  
Anthracite Grey RAL 7016  
Antique Pink RAL 3012  
Pink NCS 1021  
Violet RAL 4008  
Bluette RAL 5009  
Yellow RAL 1003  
Brick RAL 3009  
Red Pomegranate RAL 3031  
Sage green NCS 5010 G 10Y  
Fuchsia NCS S 2060R10B  
Purple RAL 4011  
Yellow NCS S 1050 Y 10R  
NCS S 6020 R 90 B

## COVERINGS

### C CATEGORY

JET - Fidivi (100%Trevira)  
FOX - Fidivi (100%Trevira)  
INCAS - Fidivi (100%Trevira)  
SKILL - Flukso (69%PVC - 20%PES - 10%CO - 1%PU)  
ALCE - Mam (30%CO - 1%PU - 69%PVC)  
TIME - Mam (10%CO - 20%PES - 1%PU - 69%PVC)  
PLATINUM - Flukso (82%PVC - 18%PES)  
ERA - Camira (100% poliestere)

### D CATEGORY

FENICE - Pugi (75%Lana - 25%Poliammide)  
VEGA VELVET - (Glamour 100%Poliestere)  
BUBBLE - Flukso (100%PES)  
PIQUANT - Flukso (100%PES)  
SALO' - L'interno (55%CO - 21%VI - 10%PL - 9%LI - 5%PC)  
MALCESINE - L'interno (52%CO - 23%VI - 17%PL - 8%LI)  
BARDOLINO - L'interno (75%CO - 25%PL)  
SIRMIONE - L'interno (49%CO - 23%PL - 19%VI - 9%LI)  
ASPECT - Camira - (75%Trevira CS - 25%Poliestere)  
XTREME - Camira (100%Poliestere Riciclato)  
CANOPY - Camira (100% poliestere)  
MANHATTAN - Camira (100% poliestere)  
FUSION - Crevin (34% wo - 28% pes - 23% pp - 15% co)

### E CATEGORY

SYNERGY - Camira (95%Lana - 5%PL)  
TRACK - Camira (100%Trevira CS)  
AIDO - Glamour (56%CO - 44%VI)  
GULP - Glamour (56%CO - 44%VI)  
NOBILI - Velluto - L'interno (100%CO)  
OXIGEN - Camira (90% wool 10% polyamide)

### F CATEGORY / LEATHER / THICK LEATHER

Pelle Soft - Panama DANI  
Pelle Soft Stampa Madras - Box Land DANI  
INDIVIDUO - Camira (95%WOOL - 5%PL)  
CUOIO - thick leather

### LUXURY

NOBILI trapuntato velluto - L'interno (100%CO)  
Pelle soft - Florida Dani  
Nabuk - Venere  
Pelle acquario: DANI  
Pelle Dani Vintage anilina  
FOSS - KVADRAT (76% wool - 11% viscose - 8% nylon - 5% linen)

## METAL

### STANDARD COLORS

White RAL 9016  
Black RAL 9005  
Red bordeaux RAL 3004  
Tortora RAL 7006  
Anthracite - Lead  
Brown - Bronze

### SPECIAL COLORS

Fuchsia NCS S 2060R10B  
Purple RAL 4011  
Yellow NCS S 1050 Y 10R  
Sage green SX 360 I  
Dark green SXA02I  
Powder S 1010Y90R  
NCS S 6020 R 90 B

# NHINO STOOL

Design: Emilio Nanni

Beech wooden seat

0011 – H67



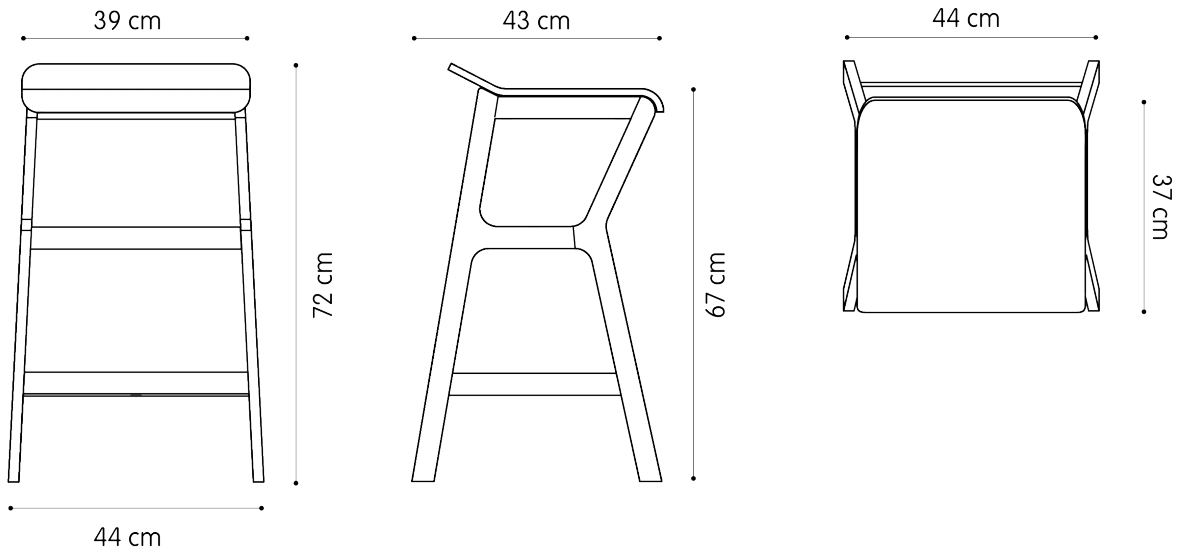
DIMENSION		FINISHING		PACKING	
Height	67	Base	Solid Beech	Height	70
Width	44	Seat	Beech Multilayer - Thickness 13 mm	Width	45
Depth	43			Depth	45
				Pieces for Pckg	1
				Gross Weight	5.5
				cu.m.	0.14

Beech with padded seat

0014 – H67 – IMB



DIMENSION		FINISHING		PACKING	
Height	67	Base	Solid Beech	Height	70
Width	44	Seat	MDF - Thickness 12 mm	Width	45
Depth	43	Padding Mat.	Foam Rubber - Thickness 1 cm	Depth	45
				Pieces for Pckg	1
				Gross Weight	5.5
				cu.m.	0.14
		Density	ELAST 65 Kg/cu.m. - Fireproof		



## FINISHINGS

**WOOD** Our standard lacquers have a matt finish; the relevant RAL and NCS codes can be found at the back of the Trabà catalogue in the KEEP COLOURS section. Colors are divided into two price categories referred to on the price list as LACQUERED BASIC and LACQUERED FASHION. For sample colors the cost it's the same of LACQUERED BASIC.

### LACQUERED BASIC

White RAL 9010  
Sand RAL 7044  
Black RAL 9011  
Tortora RAL 7006  
Grey RAL 7010  
Dark Brown RAL 8019  
Dark Green RAL 6003  
Oil Green RAL 6000  
Blue Sea RAL 6034  
Sage Green RAL 6013  
Powder S 1010Y90R

### LACQUERED FASHION

Bordeaux RAL 3004  
Red RAL 3013  
Anthracite Grey RAL 7016  
Antique Pink RAL 3012  
Pink NCS 1021  
Violet RAL 4008  
Bluette RAL 5009  
Yellow RAL 1003  
Brick RAL 3009  
Red Pomegranate RAL 3031  
Sage green NCS 5010 G 10Y  
Fuchsia NCS S 2060R10B  
Purple RAL 4011  
Yellow NCS S 1050 Y 10R  
NCS S 6020 R 90 B

## COVERINGS

### C CATEGORY

JET - Fidivi (100%Trevira)  
FOX - Fidivi (100%Trevira)  
INCAS - Fidivi (100%Trevira)  
SKILL - Flukso (69%PVC - 20%PES - 10%CO - 1%PU)  
ALCE - Mam (30%CO - 1%PU - 69%PVC)  
TIME - Mam (10%CO - 20%PES - 1%PU - 69%PVC)  
PLATINUM - Flukso (82%PVC - 18%PES)  
ERA - Camira (100% poliestere)

### D CATEGORY

FENICE - Pugi (75%Lana - 25%Poliammide)  
VEGA VELVET - (Glamour 100%Poliestere)  
BUBBLE - Flukso (100%PES)  
PIQUANT - Flukso (100%PES)  
SALO' - L'interno (55%CO - 21%VI - 10%PL - 9%LI - 5%PC)  
MALCESINE - L'interno (52%CO - 23%VI - 17%PL - 8%LI)  
BARDOLINO - L'interno (75%CO - 25%PL)  
SIRMIONE - L'interno (49%CO - 23%PL - 19%VI - 9%LI)  
ASPECT - Camira - (75%Trevira CS - 25%Poliestere)  
XTREME - Camira (100%Poliestere Riciclato)  
CANOPY - Camira (100% poliestere)  
MANHATTAN - Camira (100% poliestere)  
FUSION - Crevin (34% wo - 28% pes - 23% pp - 15% co)

### E CATEGORY

SYNERGY - Camira (95%Lana - 5%PL)  
TRACK - Camira (100%Trevira CS)  
AIDO - Glamour (56%CO - 44%VI)  
GULP - Glamour (56%CO - 44%VI)  
NOBILI - Velluto - L'interno (100%CO)  
OXIGEN - Camira (90% wool 10% polyamide)

### F CATEGORY / LEATHER / THICK LEATHER

Pelle Soft - Panama DANI  
Pelle Soft Stampa Madras - Box Land DANI  
INDIVIDUO - Camira (95%WOOL - 5%PL)  
CUOIO - thick leather

### LUXURY

NOBILI trapuntato velluto - L'interno (100%CO)  
Pelle soft - Florida Dani  
Nabuk - Venere  
Pelle acquario: DANI  
Pelle Dani Vintage anilina  
FOSS - KVADRAT (76% wool - 11% viscose - 8% nylon - 5% linen)

## METAL

### STANDARD COLORS

White RAL 9016  
Black RAL 9005  
Red bordeaux RAL 3004  
Tortora RAL 7006  
Anthracite - Lead  
Brown - Bronze

### SPECIAL COLORS

Fuchsia NCS S 2060R10B  
Purple RAL 4011  
Yellow NCS S 1050 Y 10R  
Sage green SX 360 I  
Dark green SXA02I  
Powder S 1010Y90R  
NCS S 6020 R 90 B

# NHINO STOOL

Design: Emilio Nanni

Beech wooden seat

0012 – H77



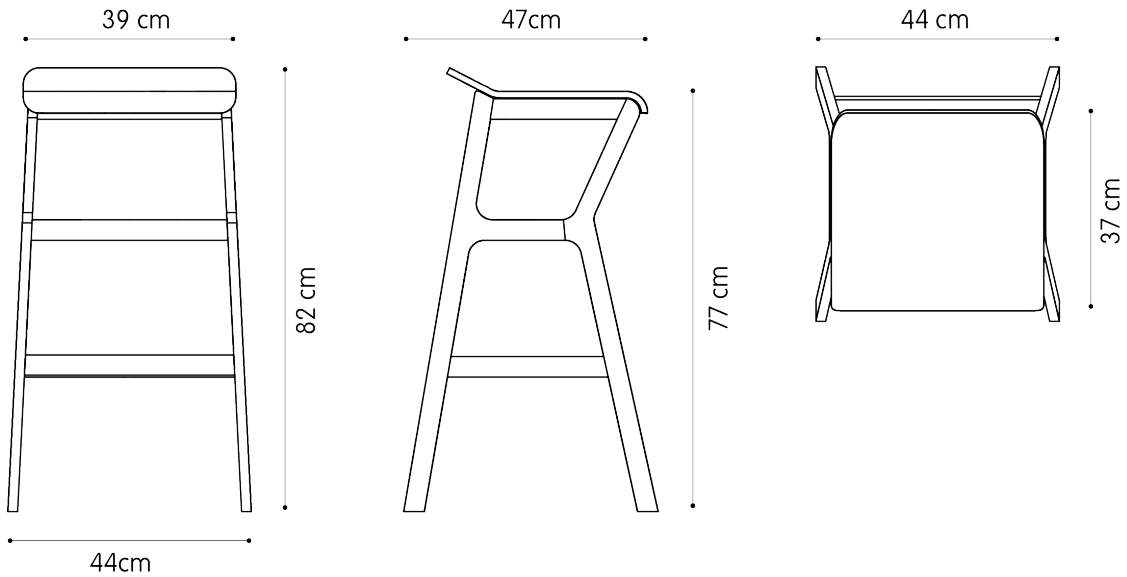
DIMENSION		FINISHING		PACKING	
Height	77	Base	Solid Beech	Height	80
Width	44	Seat	Beech Multilayer - Thickness 13 mm	Width	45
Depth	47			Depth	45
				Pieces for Pckg	1
				Gross Weight	6
				cu.m.	0.20

Beech with padded seat

0015 – H77 – IMB



DIMENSION		FINISHING		PACKING	
Height	77	Base	Solid Beech	Height	80
Width	44	Seat	MDF - Thickness 12 mm	Width	45
Depth	47	Padding Mat.	Foam Rubber - Thickness 1 cm	Depth	45
				Pieces for Pckg	1
				Gross Weight	6
				cu.m.	0.20
		Density	ELAST 65 Kg/cu.m. - Fireproof		



## FINISHINGS

**WOOD** Our standard lacquers have a matt finish; the relevant RAL and NCS codes can be found at the back of the Trabà catalogue in the KEEP COLOURS section. Colors are divided into two price categories referred to on the price list as LACQUERED BASIC and LACQUERED FASHION. For sample colors the cost it's the same of LACQUERED BASIC.

### LACQUERED BASIC

White RAL 9010  
Sand RAL 7044  
Black RAL 9011  
Tortora RAL 7006  
Grey RAL 7010  
Dark Brown RAL 8019  
Dark Green RAL 6003  
Oil Green RAL 6000  
Blue Sea RAL 6034  
Sage Green RAL 6013  
Powder S 1010Y90R

### LACQUERED FASHION

Bordeaux RAL 3004  
Red RAL 3013  
Anthracite Grey RAL 7016  
Antique Pink RAL 3012  
Pink NCS 1021  
Violet RAL 4008  
Bluette RAL 5009  
Yellow RAL 1003  
Brick RAL 3009  
Red Pomegranate RAL 3031  
Sage green NCS 5010 G 10Y  
Fuchsia NCS S 2060R10B  
Purple RAL 4011  
Yellow NCS S 1050 Y 10R  
NCS S 6020 R 90 B

## COVERINGS

### C CATEGORY

JET - Fidivi (100%Trevira)  
FOX - Fidivi (100%Trevira)  
INCAS - Fidivi (100%Trevira)  
SKILL - Flukso (69%PVC - 20%PES - 10%CO - 1%PU)  
ALCE - Mam (30%CO - 1%PU - 69%PVC)  
TIME - Mam (10%CO - 20%PES - 1%PU - 69%PVC)  
PLATINUM - Flukso (82%PVC - 18%PES)  
ERA - Camira (100% polyestere)

### D CATEGORY

FENICE - Pugi (75%Lana - 25%Poliammide)  
VEGA VELVET - (Glamour 100%Poliestere)  
BUBBLE - Flukso (100%PES)  
PIQUANT - Flukso (100%PES)  
SALO - L'interno (55%CO - 21%VI - 10%PL - 9%LI - 5%PC)  
MALCESINE - L'interno (52%CO - 23%VI - 17%PL - 8%LI)  
BARDOLINO - L'interno (75%CO - 25%PL)  
SIRMIONE - L'interno (49%CO - 23%PL - 19%VI - 9%LI)  
ASPECT - Camira - (75%Trevira CS - 25%Poliestere)  
XTREME - Camira (100%Poliestere Riciclato)  
CANOPY - Camira (100% polyestere)  
MANHATTAN - Camira (100% polyestere)  
FUSION - Crevin (34% wo - 28% pes - 23% pp - 15% co)

### E CATEGORY

SYNERGY - Camira (95%Lana - 5%PL)  
TRACK - Camira (100%Trevira CS)  
AIDO - Glamour (56%CO - 44%VI)  
GULP - Glamour (56%CO - 44%VI)  
NOBILI - Velluto - L'interno (100%CO)  
OXIGEN - Camira (90% wool 10% polyamide)

### F CATEGORY / LEATHER / THICK LEATHER

Pelle Soft - Panama DANI  
Pelle Soft Stampa Madras - Box Land DANI  
INDIVIDUO - Camira (95%WOOL - 5%PL)  
CUOIO - thick leather

### LUXURY

NOBILI trapuntato velluto - L'interno (100%CO)  
Pelle soft - Florida Dani  
Nabuk - Venere  
Pelle acquario: DANI  
Pelle Dani Vintage anilina  
FOSS - KVADRAT (76% wool - 11% viscose - 8% nylon - 5% linen)

## METAL

### STANDARD COLORS

White RAL 9016  
Black RAL 9005  
Red bordeaux RAL 3004  
Tortora RAL 7006  
Anthracite - Lead  
Brown - Bronze

### SPECIAL COLORS

Fuchsia NCS S 2060R10B  
Purple RAL 4011  
Yellow NCS S 1050 Y 10R  
Sage green SX 360 I  
Dark green SXA02I  
Powder S 1010Y90R  
NCS S 6020 R 90 B