

FLOS

BUTTON HL

Mounting	Ceiling and wall
Lamps description	5 x MAX 33W G9 HSGS
Environment	Indoor
Finish	White
Technical description	Wall/ceiling fixture providing diffused lighting for indoor use. Hand-blown opal ply glass diffuser (transparent – opal – transparent) with acid finish. Sheared, deep-drawn steel sheet wall/ceiling attachment with white galvanized finish. Sheared, deep-drawn steel sheet reflector painted white for high temperatures. Closing cover in injection molded tecnopolymer with chrome finish. Satin-finish incandescent line voltage halogen lamps.



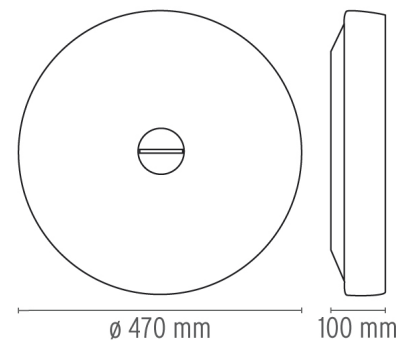
BUTTON HL

designed by Piero Lissoni

Wall/ceiling fixture providing diffused lighting for indoor use.

● F3190009 White

DIMENSIONS



ELECTRICAL

Emergency	Without
Switching	Luminosity can be adjusted by means of traditional dimmers installed in the recessed versions.
Voltage (V)	230

PHYSICAL

Supply	Terminal block
Construction material	Glass
Weight (kg)	13.5
Number of heads	1

BUTTON HL . Lamps



HSGS 33W G9

Lamp wattage:
33 W

Lamp category:
Halogen mains

Socket:
G9

Lamp type:
HSGS

CERTIFICATIONS

