



Toggle

Neil Poulton

colors



Typology Wall
Utilisation Indoor

230V 4.5 W 700 lm

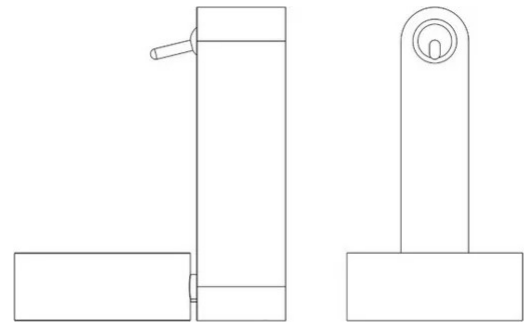


direct light

Toggle is made of die-cast aluminium painted with a satin polycarbonate diffuser. LED light source and built-in power supply.



Family	Toggle
Typology	Wall
Utilisation	Indoor



Dimensions

Height	17,1 cm
Profondità	14,8 cm
Diameter	9,6 cm
Weight	0.7 Kg

Materials

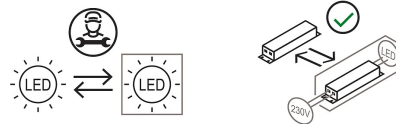
Structure	aluminium	Diffuser	polycarbonate
Elementi	aluminium		

Voltage	230V	Watt	4.5 W
Power unit	Included	Lumen	700 lm
Mounting Power Supply	In the lamp body	CRI	>80
Power supply	Electronic power supply	CCT	2700 K
Non dimmable		Energy class	E

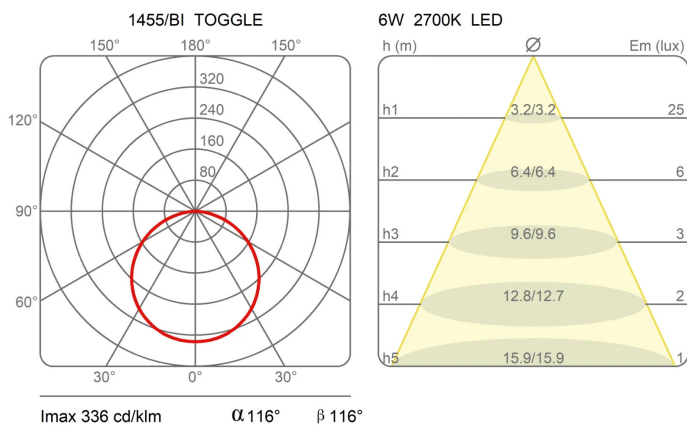
Certifications



EcoLabel



Photometric curves





Colour variant code



1455/BI



White



1455/AN



Anthracite

Gallery

