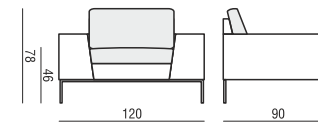
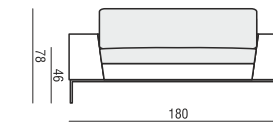


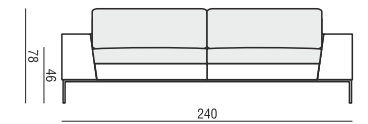
**ARMCHAIR**



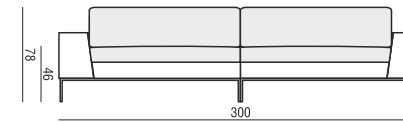
**2 SEATER**



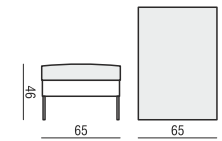
**3 SEATER**



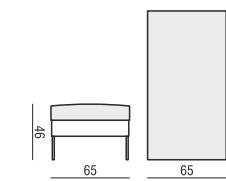
**4 SEATER two parts**



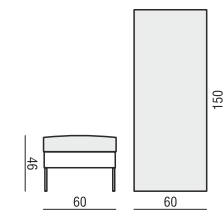
**FOOTSTOOL 93x65**



**FOOTSTOOL 123x65**

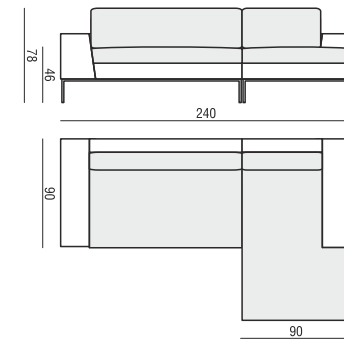


**FOOTSTOOL 150x60**



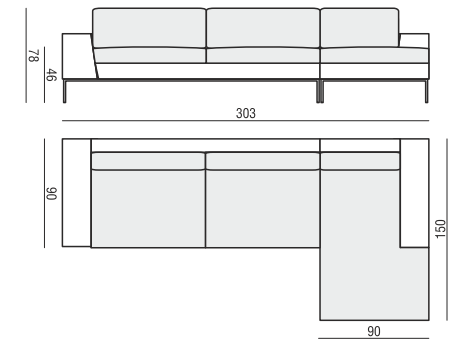
**SET 1 RIGHT (or LEFT)**

**2 SEATER LEFT (or RIGHT) + CHAISERLONGUE RIGHT (or LEFT)**



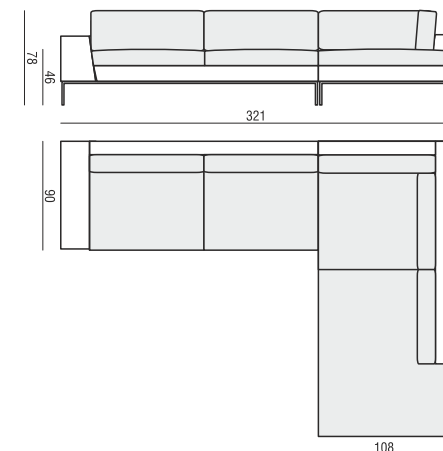
**SET 2 RIGHT (or LEFT)**

**3 SEATER LEFT (or RIGHT) + CHAISERLONGUE RIGHT (or LEFT)**



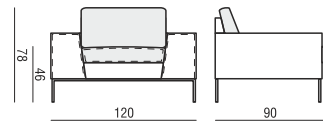
**SET 3 RIGHT (or LEFT)**

**3 SEATER LEFT (or RIGHT) + DIVAN RIGHT (or LEFT)**

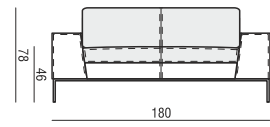


## EXAMPLE OF LEATHER COVER

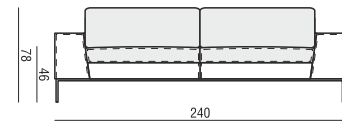
### ARMCHAIR



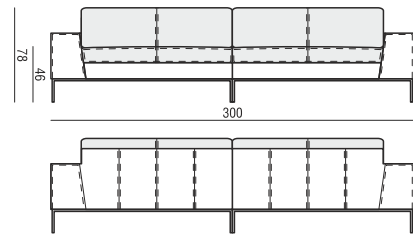
### 2 SEATER



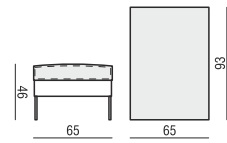
### 3 SEATER



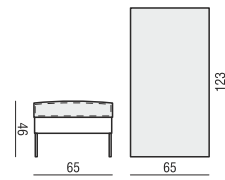
### 4 SEATER two parts



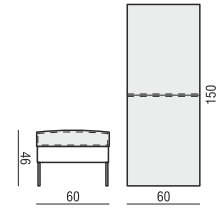
### FOOTSTOOL 93x65



### FOOTSTOOL 123x65

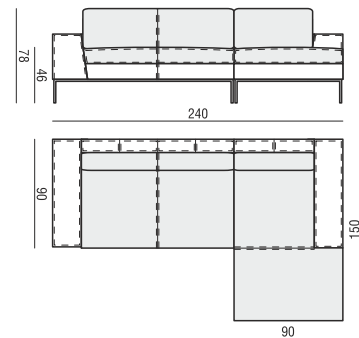


### FOOTSTOOL 150x60



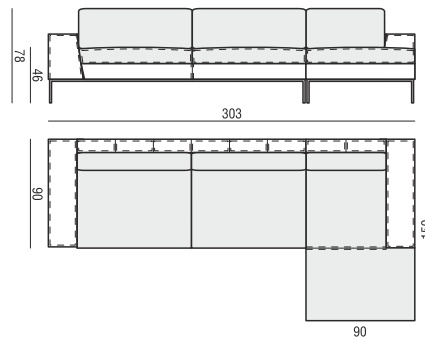
### SET 1 RIGHT (or LEFT)

2 SEATER LEFT (or RIGHT) + CHAISELONGUE RIGHT (or LEFT)



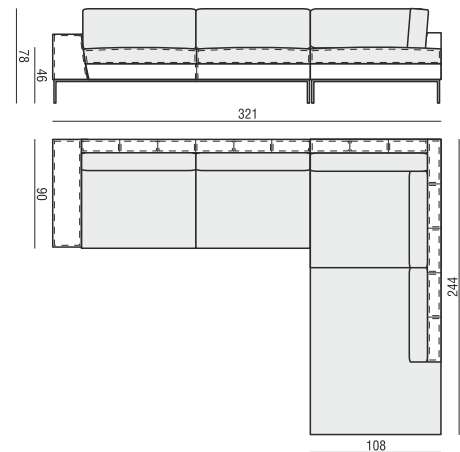
### SET 2 RIGHT (or LEFT)

3 SEATER LEFT (or RIGHT) + CHAISELONGUE RIGHT (or LEFT)



### SET 3 RIGHT (or LEFT)

3 SEATER LEFT (or RIGHT) + DIVAN RIGHT (or LEFT)



SITS reserves the right to change construction of products and components used due to improving durability of product and customer satisfaction without any further notice. Explicit  $\pm 2$  cm tolerance of all elements sizes.

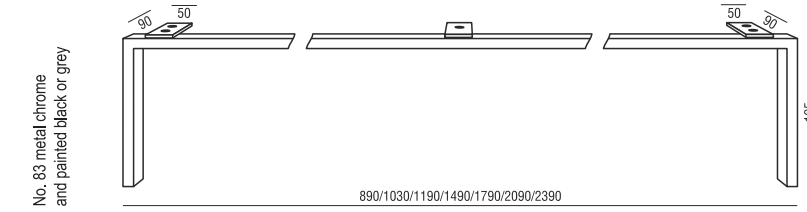


FOOTSTOOL 150x60 LEATHER

## UPHOLSTERY

FABRIC or LEATHER: FC - fix cover

## FEET



## COMFORT STANDARD

1. polyurethane foam / high resilient polyurethane foam
2. springs
3. solid wood and wood based elements
4. fabric or leather
5. metal legs

## COMFORT LUX

1. polyurethane foam / high resilient polyurethane foam
2. cushion chamber with mix of feather and silicone balls
3. silicone balls
4. springs
5. solid wood and wood based elements
6. fabric or leather
7. metal legs